

LOG SPLITTER



BRITAIN'S LEADING TRAILER MANUFACTURER

In Safe Hands

SPECIALISTS IN TRAILER DESIGN & ENGINEERING

For over 60 years, people have put their trust in our trailers, just ask an owner they're not difficult to find. As specialists in trailer design and engineering, we have continued to set the standard both in the UK and throughout much of Europe.

We are an independent company with one focus: to build the best products on the market. Thousands of people choose our trailers each year - but we're not standing still and continue with drive, passion, and innovation to further develop our product range.

Our dedicated investment in new technologies and materials ensures that our products continue to exceed the expectations of our customers. We know that quality, strength, value, and ease of maintenance are of vital importance and that is why we've made them the driving force behind everything we do.





LS256 Log Splitter

The Log Splitter is our first trailer implement, and we are certain that new and existing customers alike will be impressed with this highly versatile and reliable product.

Our designers have stayed true to our company ethos and designed an exquisite piece of equipment that embodies our core values of quality, strength, value, and ease of maintenance.

Features include a powerful 25 tonne hydraulic ram powered by an on-board petrol engine, the flexibility to have either horizontal or vertical splitting, and the ability to split logs up to 600mm in length.

The Log Splitter also comes with a hi-lo pump which brings the splitting wedge quickly into contact with the log. The log is then split at high force but low speed before returning to the home position at a higher speed ready for the next log. Also fitted as standard is a novel log stripper, useful when splitting those wet or difficult logs that can get caught on the splitting wedge.

Quick and easy to deploy, and spring-balanced for ease of use, the splitting column can be orientated for both horizontal and vertical splitting.

Safety is a key feature on the Log Splitter. The two-handed safety control can operate hands-free on the return stroke, automatically disengaging when the splitting wedge has reached its home position. A muffler guard is also included as well as the high grip safety anvil which reduces log slippage.

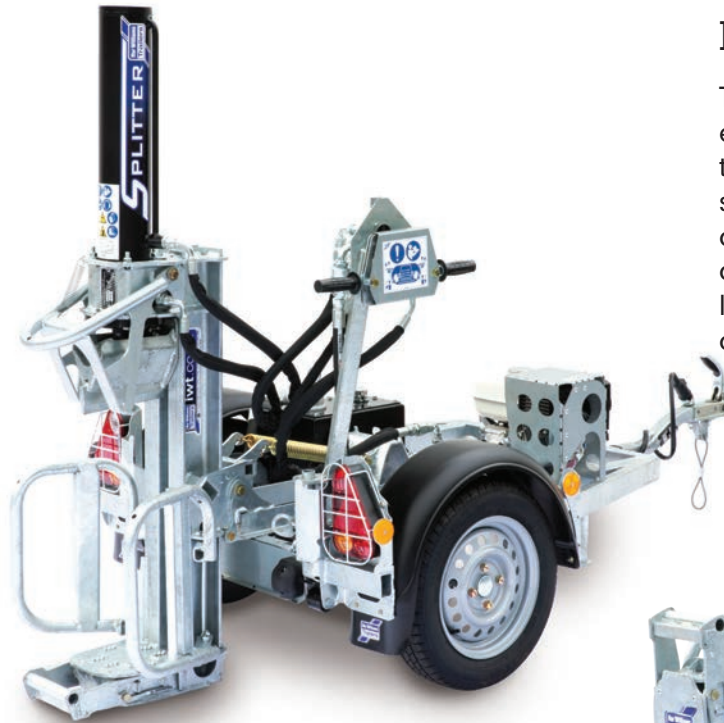
The log guard and toe protector complete the impressive list of safety features which come as standard.

Features

Powered by a four-stroke petrol engine, the Log Splitter can operate independently as and where required.

Features Include:

- Galvanised Steel Splitting Column and Head
- 25 tonne Splitting Force
- 600mm Max Log Length
- Hi - Lo Pump
- Horizontal and Vertical Operation
- Counterbalanced Splitting Column
- 250mm Splitting Head
- User Friendly Log Guards
- Log Stripper as Standard
- High Grip Anvil
- Honda Certified Installation
- Honda GX200 Engine
- Multi-Position Control Column
- Two Handed Safety Control/Operation
- Fully Compliant with European Safety Standards and CE Marked



Honda GX200 Engine

The Honda GX200 engine has a reputation for quality and reliability. Its features include:

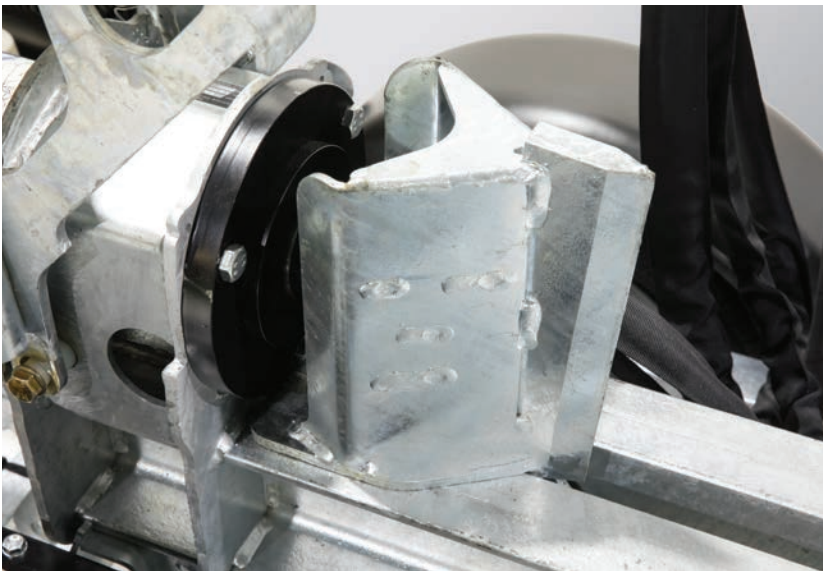
- 4-stroke single cylinder engine
- OHV design enhances combustion efficiency
- High power-to-displacement ratio
- Easy starting with an automatic decompression system and an easy-to-grip soft recoil starter handle
- Reduced vibration and noise levels
- 4.1kW (5.5HP) output
- Fuel consumption - 1.7l/H @ 3600rpm
- 3.1Ltr fuel tank

Horizontal and Vertical Operation

The Galvanised Splitting Column can be set to either a vertical or horizontal orientation to suit the size and method of splitting desired. When switching between positions the mechanism is counterbalanced to ensure a safe and controlled change over. The mechanism incorporates a locking latch to secure the column in the desired orientation.

We also provide a safety guard (muffler/exhaust) to prevent accidental contact with the engine exhaust.

As part of the design process the installation has been verified and approved by Honda meaning the engine is covered by the Official Honda Warranty.



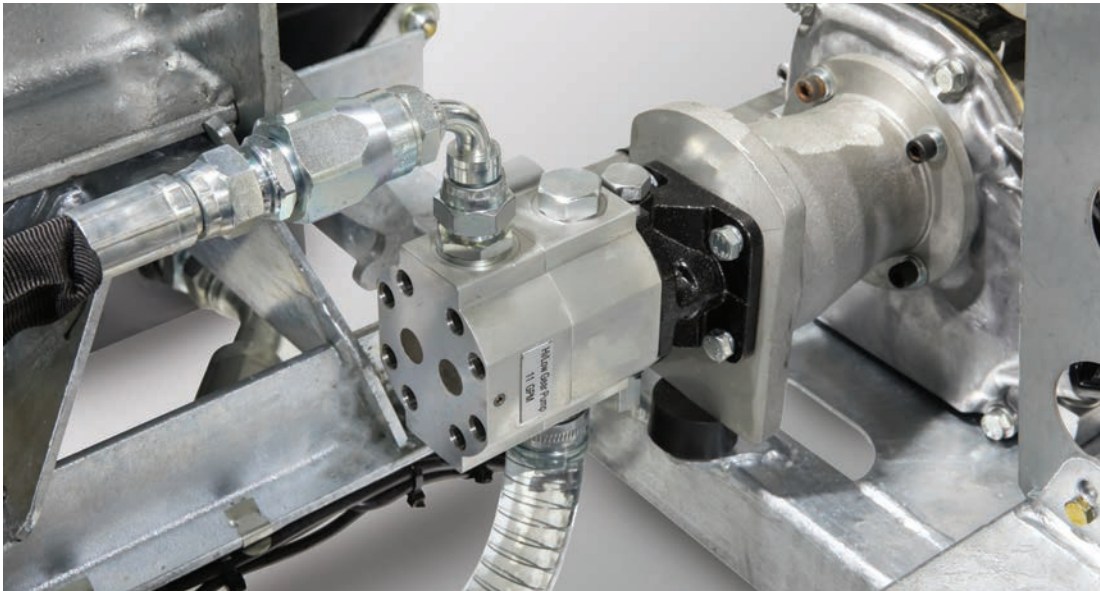
Splitting Head

The welded and galvanised 250mm splitting head is powered by a heavy-duty double action 25 tonne hydraulic ram. The axe blade is angled to apply maximum pressure at the point of contact/split.



Log Retainer/Guards

The log retainer/guards support the logs when splitting to ensure debris or logs are contained within the splitting zone.



Hi-Lo Pump

The two-stage pump provides a faster cycle time and higher ram pressure. The change from low to high pressure is automatic and allows the ram to operate at a higher speed when under no load. As the ram encounters a load (when the splitting head is in contact with the log) the pump automatically delivers maximum power at lower speed for a steady and controlled splitting.



Log Stripper

If difficult and awkward shaped logs become lodged or stuck on the splitting head, the two position log stripper can be deployed during the return stroke to aid their removal with minimal effort.



Three-Position Control Column

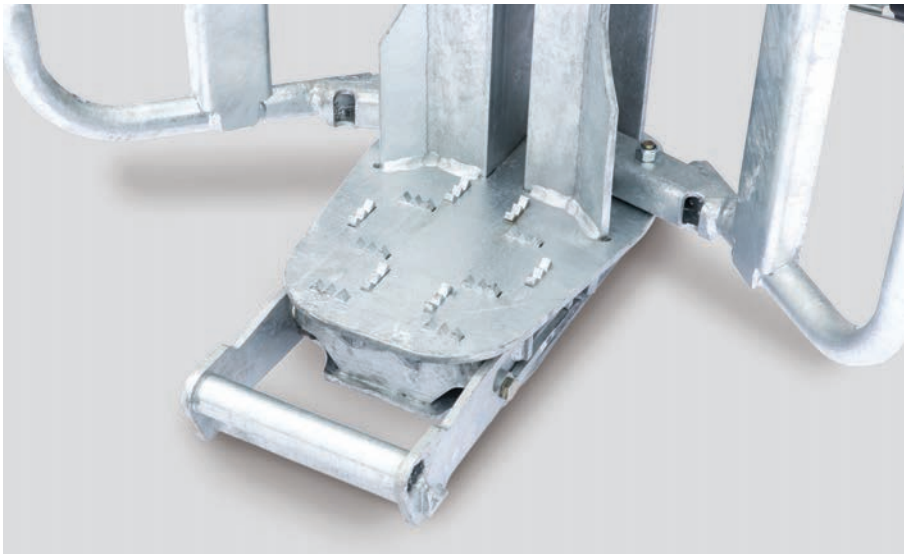
Designed to offer an ergonomic and comfortable operating position, the control column can be set to travel in horizontal or vertical operating modes.

Positioned at the optimal height, the controls remain close to the splitting zone while still ensuring a safe distance is maintained. This ensures the operator can access the splitting zone when loading the logs and can switch to operating the controls with minimal effort.



Two Handed Safety Control

The splitting head is only activated when both hands are used to operate the controls. Pressing down simultaneously on each handle engages the mechanism which actuates the hydraulic ram for splitting. The return stroke is engaged by moving the controls in an upward direction, these remain engaged until the head returns to the home position or the controls are disengaged.



High Grip Anvil

The serrated face of the high grip anvil provides an excellent low slip platform. This reduces the possibility of irregular or angled cut logs from slipping under the splitting head.





Accessories



Light Guards

Common with our Unbraked and GD trailers, the road legal rear light guards offer protection to prevent the lights from being damaged.

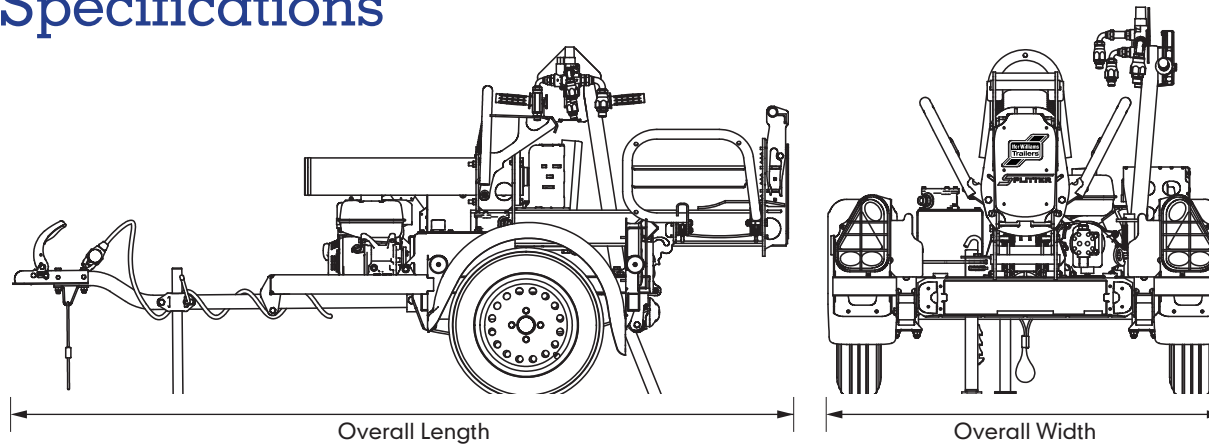


Trailer Cover

To protect your Log Splitter when not in use, the cover keeps the engine and mechanism dry. This will ensure that the machine is ready for use when needed and reduces the need for additional maintenance.

For Storage Use Only.

Trailer Specifications




	Tyres	Operating Weight	Overall Length	Overall Width	Max Log Length	Splitting Pressure
LS256	145/70R13C	350kg	2700mm	1260mm	600mm	25t



Ifor Williams Trailers Ltd
 Cynwyd, Corwen,
 Denbighshire LL21 0LB UK
 Telephone +44 (0)1490 412527
 sales@iwt.co.uk

For further information visit our
 comprehensive website
www.iwt.co.uk

SPLITTER




Ifor Williams Genuine Parts can only be purchased through your local Ifor Williams Distributor, or direct through Ifor Williams Trailers Ltd. Our Genuine Parts are all backed by prompt service, customer support and a total dedication to keep you on the road.

Always use IWT Genuine Parts on your Trailer.

Product design, descriptions, colours, specifications etc. correct at time of going to press. We constantly strive to improve our products, and from time to time this may result in changes to our range or to individual models. Please check that design, description, colours, specifications described in this brochure are still valid at the time of placing an order.

Our distributors have extensive product knowledge and will be pleased to offer assistance in the selection of your trailer.

© Ifor Williams Trailers Ltd 2022. All rights reserved.

No part of this publication may be reproduced in any form or by any means, without the prior written permission of Ifor Williams Trailers Ltd.

All Ifor Williams braked trailers come as standard with a 13 pin towing electric plug. This is in order to comply with the requirement under ECWVTA regulations to provide trailer reversing lights.