

MAX-8

V2107.02



MAX-8

Excellent Performances & Reliability

CPCD20-35T8

CPQD30-35T8

T8 series 2.0-3.5t forklift

EP EQUIPMENT CO.,LTD
www.ep-ep.com



CPCD20/25T8

T8 series 2.0-2.5t forklift specification

General		EP																		
1	Manufacture	CPCD20T8-S4S		CPCD20T8-C490		CPCD20T8-C240		CPCD20T8-TD27		CPCD25T8-C490		CPCD25T8-S4S		CPCD25T8-C240		CPCD25T8-TD27		CPCD25T8-GK25		
2	Model																			
3	Power type																			
4	Rated capacity	Kg	2000	2000	2000	2000	2000	2000	2000	2500	2500	2500	2500	2500	2500	2500	2500	2500	2500	2500
5	Load center	mm	500	500	500	500	500	500	500	500	500	500	500	500	500	500	500	500	500	500
6	Lift height	mm	3000	3000	3000	3000	3000	3000	3000	3000	3000	3000	3000	3000	3000	3000	3000	3000	3000	3000
7	Free lift height	mm	120	120	120	120	120	120	120	120	120	120	120	120	120	120	120	120	120	120
8	Fork size	L×W×T	1070×120×40	1070×120×40	1070×120×40	1070×120×40	1070×120×40	1070×120×40	1070×120×40	1070×120×40	1070×120×40	1070×120×40	1070×120×40	1070×120×40	1070×120×40	1070×120×40	1070×120×40	1070×120×40	1070×120×40	1070×120×40
9	Mast tilt range	F/R	6/12	6/12	6/12	6/12	6/12	6/12	6/12	6/12	6/12	6/12	6/12	6/12	6/12	6/12	6/12	6/12	6/12	6/12
10	Fork overhang(wheel center to fork face)	mm	476	476	476	476	476	476	476	476	476	476	476	476	476	476	476	476	476	476
11	Rear overhang	mm	485	485	485	485	485	485	485	485	485	485	485	485	485	485	485	485	485	485
12	Length to face of fork	mm	1150	1150	1150	1150	1150	1150	1150	1150	1150	1150	1150	1150	1150	1150	1150	1150	1150	1150
13	Overall width	mm	2050	2050	2050	2050	2050	2050	2050	2050	2050	2050	2050	2050	2050	2050	2050	2050	2050	2050
14	Mast lowered height	mm	4200	4200	4200	4200	4200	4200	4200	4200	4200	4200	4200	4200	4200	4200	4200	4200	4200	4200
15	Mast extended height	mm	2130	2130	2130	2130	2130	2130	2130	2130	2130	2130	2130	2130	2130	2130	2130	2130	2130	2130
16	Overhead guard height	mm	2170	2170	2170	2170	2170	2170	2170	2170	2170	2170	2170	2170	2170	2170	2170	2170	2170	2170
17	Turning radius(outside)	mm	2680	2680	2680	2680	2680	2680	2680	2680	2680	2680	2680	2680	2680	2680	2680	2680	2680	2680
18	Min.right angle stacking aisle width (Add load length and clearance)	mm	20	20	20	20	20	20	20	20	20	20	20	20	20	20	20	20	20	20
19	Travel (No load)	Km/h	20	20	20	20	20	20	20	20	20	20	20	20	20	20	20	20	20	20
20	Lifting (Full load)	mm/sec	450	450	450	450	450	450	450	450	450	450	450	450	450	450	450	450	450	450
21	Lowering (Full load)	mm/sec	450	450	450	450	450	450	450	450	450	450	450	450	450	450	450	450	450	450
22	Max. Drawbar Pull (Full load)	N	14300	14300	14300	14300	14300	14300	14300	14300	14300	14300	14300	14300	14300	14300	14300	14300	14300	14300
23	Max. Gradeability (Full load)	%	20	20	20	20	20	20	20	20	20	20	20	20	20	20	20	20	20	20
24	Tyres	mm	7.00-12-12PR	7.00-12-12PR	7.00-12-12PR	7.00-12-12PR	7.00-12-12PR	7.00-12-12PR	7.00-12-12PR	7.00-12-12PR	7.00-12-12PR	7.00-12-12PR	7.00-12-12PR	7.00-12-12PR	7.00-12-12PR	7.00-12-12PR	7.00-12-12PR	7.00-12-12PR	7.00-12-12PR	7.00-12-12PR
25	Front	mm	6.00-9-10PR	6.00-9-10PR	6.00-9-10PR	6.00-9-10PR	6.00-9-10PR	6.00-9-10PR	6.00-9-10PR	6.00-9-10PR	6.00-9-10PR	6.00-9-10PR	6.00-9-10PR	6.00-9-10PR	6.00-9-10PR	6.00-9-10PR	6.00-9-10PR	6.00-9-10PR	6.00-9-10PR	6.00-9-10PR
26	Rear	mm	970	970	970	970	970	970	970	970	970	970	970	970	970	970	970	970	970	970
27	Front	mm	1600	1600	1600	1600	1600	1600	1600	1600	1600	1600	1600	1600	1600	1600	1600	1600	1600	1600
28	Rear	mm	120	120	120	120	120	120	120	120	120	120	120	120	120	120	120	120	120	120
29	Wheelbase	mm	145	145	145	145	145	145	145	145	145	145	145	145	145	145	145	145	145	145
30	Lowest	mm	3580	3580	3580	3580	3580	3580	3580	3580	3580	3580	3580	3580	3580	3580	3580	3580	3580	3580
31	Wheelbase center	mm	4856	4856	4856	4856	4856	4856	4856	4856	4856	4856	4856	4856	4856	4856	4856	4856	4856	4856
32	Full load	Kg	724	724	724	724	724	724	724	724	724	724	724	724	724	724	724	724	724	724
33	Rear	Kg	1428	1428	1428	1428	1428	1428	1428	1428	1428	1428	1428	1428	1428	1428	1428	1428	1428	1428
34	No load	Kg	2142	2142	2142	2142	2142	2142	2142	2142	2142	2142	2142	2142	2142	2142	2142	2142	2142	2142
35	Rear	Kg	12/60	12/60	12/60	12/60	12/60	12/60	12/60	12/60	12/60	12/60	12/60	12/60	12/60	12/60	12/60	12/60	12/60	12/60
36	Voltage/Capacity(20HR)	V/AH	S4S-DPEU2	C490BPG-25	C240	TD27	C490BPG-25	S4S-DPEU2	S4S-DPEU2	S4S-DPEU2	S4S-DPEU2	S4S-DPEU2	S4S-DPEU2	S4S-DPEU2	S4S-DPEU2	S4S-DPEU2	S4S-DPEU2	S4S-DPEU2	S4S-DPEU2	S4S-DPEU2
37	Model		Mitsubishi	XIN CHAI	ISUZU	GCT	XIN CHAI	Mitsubishi	Mitsubishi	Mitsubishi	Mitsubishi	Mitsubishi	Mitsubishi	Mitsubishi	Mitsubishi	Mitsubishi	Mitsubishi	Mitsubishi	Mitsubishi	Mitsubishi
38	Manufacture		35.3/2250	36.8/2650	34.5/2500	38.5/2300	36.8/2650	35.3/2250	35.3/2250	35.3/2250	35.3/2250	35.3/2250	35.3/2250	35.3/2250	35.3/2250	35.3/2250	35.3/2250	35.3/2250	35.3/2250	35.3/2250
39	Rated output/r.p.m	kw	177/1700	156/1700-1900	139/1800	160/2300	156/1700-1900	160/2300	160/2300	160/2300	160/2300	160/2300	160/2300	160/2300	160/2300	160/2300	160/2300	160/2300	160/2300	160/2300
40	Rated torque/r.p.m	N.m	4	4	4	4	4	4	4	4	4	4	4	4	4	4	4	4	4	4
41	No. of cylinder		94×120	90×105	86×102	96/92	90×105	94×120	94×120	94×120	94×120	94×120	94×120	94×120	94×120	94×120	94×120	94×120	94×120	94×120
42	Bore×Stroke	mm	3331	2670	2369	2663	2670	2369	2663	2670	2663	2670	2663	2670	2663	2670	2663	2670	2663	2670
43	Displacement	cc	60	60	60	60	60	60	60	60	60	60	60	60	60	60	60	60	60	60
44	Fuel tank capacity	L	OEM	OEM	OEM	OEM	OEM	OEM	OEM	OEM	OEM	OEM	OEM	OEM	OEM	OEM	OEM	OEM	OEM	OEM
45	Manufacture		Powershift	Powershift	Powershift	Powershift	Powershift	Powershift	Powershift	Powershift	Powershift	Powershift	Powershift	Powershift	Powershift	Powershift	Powershift	Powershift	Powershift	Powershift
46	Transmissions	Type	1/1	2/2	1/1	1/1	2/2	1/1	1/1	1/1	1/1	1/1	1/1	1/1	1/1	1/1	1/1	1/1	1/1	1/1
47	Stage		17.5	17.5	17.5	17.5	17.5	17.5	17.5	17.5	17.5	17.5	17.5	17.5	17.5	17.5	17.5	17.5	17.5	17.5
48	Operating pressure	Mpa																		

1. Special lifting height available (2-stage mast: 2.5m, 2.7m, 3.0m, 3.3m, 3.5m, 3.7m, 4m, 4.3m, 4.5m, 5m, Full Free Duplex Mast: 3.0m, 3.3m, 3.5m, 3.6m, 3-stage mast : 4.3m, 4.5m, 4.8m, 5m, 5.5m, 6m)
 2. Attachment available. 3. The specification in the table are for standard models only. For further information please contact us. 4. Specification are subject to change without notice.

CPC(Q)D30/35T8

T8 series 3.0-3.5t forklift specification

General		EP											
		CPD30T8-S4S	CPD30T8-C49	CPD30T8-A498	CPD30T8-C240	CPD30T8-TD27	CPD30T8-GK25	CPD35T8-S4S	CPD35T8-A498	CPD35T8-TD27	CPD35T8-SK25	CPD35T8-4J52	
1	Manufacturer												
2	Model	Diesel	Diesel	Diesel	Diesel	Diesel	Diesel	Diesel	Diesel	Diesel	Diesel	Diesel	
3	Power type	3000	3000	3000	3000	3000	3000	3000	3000	3000	3000	3000	
4	Rated capacity	3000	3000	3000	3000	3000	3000	3000	3000	3000	3000	3000	
5	Load center	500	500	500	500	500	500	500	500	500	500	500	
6	Lift height	mm	mm	mm	mm	mm	mm	mm	mm	mm	mm	mm	
7	Free lift height	mm	mm	mm	mm	mm	mm	mm	mm	mm	mm	mm	
8	Fork size	1070×125×45	1070×125×45	1070×125×45	1070×125×45	1070×125×45	1070×125×45	1070×125×45	1070×125×45	1070×125×45	1070×125×45	1070×125×45	
9	Mast tilt range	6/12	6/12	6/12	6/12	6/12	6/12	6/12	6/12	6/12	6/12	6/12	
10	Fork overhang(wheel center to fork face)	F/R	F/R	F/R	F/R	F/R	F/R	F/R	F/R	F/R	F/R	F/R	
11	Rear overhang	mm	590	590	590	590	590	590	590	590	590	590	
12	Length to face of fork	mm	2762	2762	2762	2762	2762	2762	2762	2762	2762	2762	
13	Overall width	mm	1200	1200	1200	1200	1200	1200	1200	1200	1200	1200	
14	Mast lowered height	mm	2070	2070	2070	2070	2070	2070	2070	2070	2070	2070	
15	Mast extended height	mm	4210	4210	4210	4210	4210	4210	4210	4210	4210	4210	
16	Overhead guard height	mm	2180	2180	2180	2180	2180	2180	2180	2180	2180	2180	
17	Turning radius(outside)	mm	2450	2450	2450	2450	2450	2450	2450	2450	2450	2450	
18	Min.right angle stacking aisle width (Add load length and clearance)	mm	2950	2950	2950	2950	2950	2950	2950	2950	2950	2950	
19	Travel (No load)	Km/h	20	20	20	20	20	20	20	20	20	20	
20	Speed	mm/sec	400	400	400	400	400	400	400	400	400	400	
21	Lifting (Full load)	mm/sec	400	400	400	400	400	400	400	400	400	400	
22	Max.Drawbar Pull (Full load)	N	21000	21000	21000	21000	21000	21000	21000	21000	21000	21000	
23	Max.Gradeability (Full load)	%	20	20	20	20	20	20	20	20	20	20	
24	Tyres	mm	28-9-15-12PR	28-9-15-12PR	28-9-15-12PR	28-9-15-12PR	28-9-15-12PR	28-9-15-12PR	28-9-15-12PR	28-9-15-12PR	28-9-15-12PR	28-9-15-12PR	
25	Front	mm	6.50-10-10PR	6.50-10-10PR	6.50-10-10PR	6.50-10-10PR	6.50-10-10PR	6.50-10-10PR	6.50-10-10PR	6.50-10-10PR	6.50-10-10PR	6.50-10-10PR	
26	Rear	mm	1010	1010	1010	1010	1010	1010	1010	1010	1010	1010	
27	Font	mm	980	980	980	980	980	980	980	980	980	980	
28	Rear	mm	1700	1700	1700	1700	1700	1700	1700	1700	1700	1700	
29	Ground clearance	mm	140	140	140	140	140	140	140	140	140	140	
30	Wheelbase	mm	175	175	175	175	175	175	175	175	175	175	
31	Self weight	Kg	6488	6488	6488	6488	6488	6488	6488	6488	6488	6488	
32	Full load	mm	6488	6488	6488	6488	6488	6488	6488	6488	6488	6488	
33	Weight Distribution	mm	962	962	962	962	962	962	962	962	962	962	
34	Front	mm	1810	1810	1810	1810	1810	1810	1810	1810	1810	1810	
35	Rear	mm	2640	2640	2640	2640	2640	2640	2640	2640	2640	2640	
36	Battery	V/AH	12/80	12/80	12/80	12/60	12/60	12/60	12/60	12/60	12/60	12/60	
37	Model	S4S-DPEU2	C490BP-G-25	A498BT-39	ISUZU	ISUZU	ISUZU	ISUZU	ISUZU	ISUZU	ISUZU	ISUZU	
38	Manufacture	Mitsubishi	XIN CHAI	XIN CHAI	ISUZU	ISUZU	ISUZU	ISUZU	ISUZU	ISUZU	ISUZU	ISUZU	
39	Rated output/r.p.m	kw	35.3/2250	36.8/2650	36.8/2400	34.5/2500	38.5/2300	37.4/2300	35.3/2250	36.8/2400	38.5/2300	37.4/2300	
40	Rated torque/r.p.m	N.m	177/1700	156/1700-1900	186/1600-1800	139/1800	160/2300	176.5/1600	177/1700	186/1600-1800	160/2300	176.5/1600	
41	No.of cylinder		4	4	4	4	4	4	4	4	4	4	
42	Bore×Stroke	mm	94×120	90×105	86×102	86×102	86×102	86×102	86×102	86×102	86×102	86×102	
43	Displacement	cc	3331	2670	2369	2369	2369	2369	2369	2369	2369	2369	
44	Fuel tank capacity	L	70	60	70	70	70	70	70	70	70	70	
45	Manufacture		OEM	OEM	OEM	OEM	OEM	OEM	OEM	OEM	OEM	OEM	
46	Transmissions	Type	Powershift	Powershift	Powershift	Powershift	Powershift	Powershift	Powershift	Powershift	Powershift	Powershift	
47	Stage		1/1	1/1	1/1	1/1	1/1	1/1	1/1	1/1	1/1	1/1	
48	Operating pressure	Mpa	17.5	17.5	17.5	17.5	17.5	17.5	17.5	17.5	17.5	17.5	

1.Special lifting height available (2-stage mast : 2.5m,2.7m,3.0m,3.3m,3.5m,3.6m,3.7m,4m,4.3m,4.5m,5m. Full Free Duplex Mast 3.0m,3.3m,3.5m,3.6m. 3-stage mast : 4.3m,4.5m,4.8m,5m,5.5m,6m)
 2.Attachment available. 3.The specification in the table are for standard models only,For further information please contact us. 4.Specification are subject to change without notice.

CPCD20/25/30/35T8

T8 series 2.0-3.5t forklift specification (Meets Euro Stage V Legislation)

General		CPCD20T8		CPCD25T8		CPCD30T8		CPCD35T8	
1	Manufacture		Diesel	Diesel	Diesel	Diesel	Diesel	Diesel	Diesel
2	Model		2000	2500	3000	3500	3000	3500	3500
3	Power type		500	500	500	500	500	500	500
4	Rated capacity	Kg	2000	2500	3000	3000	3000	3000	3000
5	Load center	mm	120	120	120	120	120	120	120
6	Lift height	mm	1070x120x40	1070x120x40	1070x120x40	1070x120x40	1070x120x40	1070x120x40	1070x120x40
7	Free lift height	mm	612	612	612	612	612	612	612
8	Fork size	LxWxT	485	476	476	481	481	486	486
9	Max tilt range	F/R	2680	2740	2740	2950	2950	3010	3010
10	Fork overhang(wheel center to fork face)	mm	20	20	20	20	20	20	20
11	Rear overhang	mm	450	450	450	400	400	400	400
12	Length to face of fork	mm	14300	14800	14800	21000	21000	21500	21500
13	Overall width	mm	20	20	20	20	20	20	20
14	Overall dimensions	mm	2680	2740	2740	2950	2950	3010	3010
15	Max lowered height	mm	1150	1150	1150	1200	1200	1200	1200
16	Max extended height	mm	2050	2050	2050	2070	2070	2070	2070
17	Overhead guard height	mm	4200	4200	4200	4210	4210	4210	4210
18	Overhead guard height	mm	2130	2130	2130	2180	2180	2180	2180
19	Turning radius(outside)	mm	2170	2230	2230	2450	2450	2510	2510
20	Min.right angle stacking aisle width (Add load length and clearance)	mm	2680	2740	2740	2950	2950	3010	3010
21	Travel (No load)	Km/h	20	20	20	20	20	20	20
22	Lifting (Full load)	mm/sec	450	450	450	400	400	400	400
23	Lowering (Full load)	mm/sec	450	450	450	400	400	400	400
24	Max. Drawbar Pull (Full load)	N	14300	14800	14800	21000	21000	21500	21500
25	Max. Gradeability (Full load)	%	20	20	20	20	20	20	20
26	Tyres	mm	7.00-12-12PR	7.00-12-12PR	7.00-12-12PR	28x9-15-12PR	28x9-15-12PR	28x9-15-12PR	28x9-15-12PR
27	Tread	mm	6.00-9-10PR	6.00-9-10PR	6.00-9-10PR	6.50-10-10PR	6.50-10-10PR	6.50-10-10PR	6.50-10-10PR
28	Wheelbase	mm	970	970	970	1010	1010	1010	1010
29	Ground clearance	mm	970	970	970	980	980	980	980
30	Wheelbase center	mm	1600	1600	1600	1700	1700	1760	1760
31	Self weight	Kg	120	120	120	140	140	140	140
32	Weight	kg	145	145	145	175	175	175	175
33	Weight	kg	3580	3920	3920	4450	4450	4700	4700
34	Weight	kg	4856	5588	5588	6488	6488	7134	7134
35	Weight	kg	724	832	832	962	962	1066	1066
36	Weight	kg	1428	1560	1560	1810	1810	1927	1927
37	Battery	V/AH	2142	2360	2360	2640	2640	2773	2773
38	Model		12/105	12/105	12/105	3E22YG51	3E22YG51	3E22YG51	3E22YG51
39	Manufacture		XIN CHAI	XIN CHAI	XIN CHAI	XIN CHAI	XIN CHAI	XIN CHAI	XIN CHAI
40	Rated output/r.p.m	kw	44.8/2400	44.8/2400	44.8/2400	44.8/2400	44.8/2400	44.8/2400	44.8/2400
41	Engine	N.m	210/1600-1800	210/1600-1800	210/1600-1800	210/1600-1800	210/1600-1800	210/1600-1800	210/1600-1800
42	No. of cylinder		3	3	3	3	3	3	3
43	BorexStroke	mm	94X107	94X107	94X107	94X107	94X107	94X107	94X107
44	Displacement	cc	2226	2226	2226	2226	2226	2226	2226
45	Fuel tank capacity	L	60	60	60	70	70	75	75
46	Manufacture		OEM	OEM	OEM	OEM	OEM	OEM	OEM
47	Type		Powershift	Powershift	Powershift	Powershift	Powershift	Powershift	Powershift
48	Operating pressure	Mpa	17.5	17.5	17.5	17.5	17.5	17.5	17.5

1. Special lifting height available (2-stage mast : 2.5m, 2.7m, 3.0m, 3.3m, 3.5m, 3.6m, 3.7m, 4.0m, 4.3m, 4.5m, 4.8m, 5.0m, 5.5m, 6m)

2. Attachment available. 3. The specification in the table are for standard models only, For further information please contact us. 4. Specification are subject to change without notice.

2.0-2.5t T8 series mast: (pneumatic)

Type	Model	Max.fork height	Overall height				Free lift		Front Overhang		Tilt range		Capacity			
			Lowered	Extended		Without backrest	With backrest	2.0t	2.5t	FWD	BWD	Load capacity at 500 mm				
				Without backrest	With backrest							Single tire		Double tire		
			mm	mm	mm	mm	mm	mm	mm	mm	Deg	Deg	2.0t	2.5t	2.0t	2.5t
Wide view mast	2W200	2000	1550	2740	3420	120	120	476	476	6	10	2000	2500	2000	2500	
	2W250	2500	1800	3040	3720	120	120	476	476	6	10	2000	2500	2000	2500	
	2W270	2700	1900	3240	3920	120	120	476	476	6	10	2000	2500	2000	2500	
	2W300	3000	2050	3540	4220	120	120	476	476	6	10	2000	2500	2000	2500	
	2W330	3300	2200	3690	4370	120	120	476	476	6	10	2000	2500	2000	2500	
	2W350	3500	2300	3890	4570	120	120	476	476	6	10	2000	2500	2000	2500	
	2W360	3600	2350	3990	4670	120	120	476	476	6	10	2000	2500	2000	2500	
	2W400	4000	2600	4040	4720	120	120	476	476	6	10	1900	2300	2000	2500	
	2W430	4300	2750	4340	5020	120	120	476	476	6	6	1800	2100	1950	2450	
	2W450	4500	2850	4290	4970	120	120	476	476	6	6	1700	2000	1900	2400	
wide view full 2-stage mast	2F250	2500	1785	2090	2770	1210	560	476	476	6	10	2000	2500	2000	2500	
	2F270	2700	1885	2290	2970	1310	660	476	476	6	10	2000	2500	2000	2500	
	2F300	3000	2035	2590	3270	1460	810	476	476	6	10	2000	2500	2000	2500	
	2F330	3300	2185	3840	4520	1610	960	476	476	6	10	2000	2500	2000	2500	
	2F360	3600	2335	4140	4820	1760	1110	476	476	6	10	2000	2500	2000	2500	
	2F400	4000	2585	4540	5220	2060	1410	476	476	6	10	1900	2300	2000	2500	
	2F430	4300	2035	4880	5560	1360	730	490	490	6	6	1700	2000	1900	2400	
wide view full 3-stage mast	3F450	4500	2115	5040	5720	1460	810	490	490	6	6	1600	1900	1800	2300	
	3F480	4800	2220	5345	6020	1565	915	490	490	6	6	1500	1700	1700	2100	
	3F500	5000	2305	5540	6220	1610	960	490	490	6	6	1400	1600	1600	2000	
	3F550	5500	2555	6120	6800	1770	1120	490	490	3	6	1050	1200	1500	1800	
	3F600	6000	2805	6540	7220	2020	1370	490	490	3	6	700	800	1400	1600	

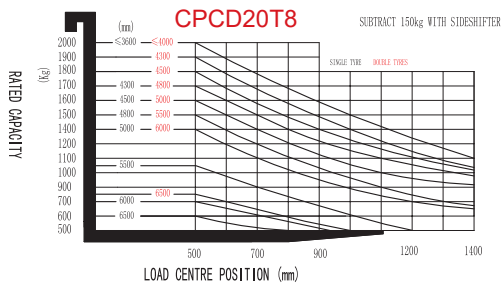
Note:1. With sideshifter minus 150Kg, with integral sideshifter minus 100Kg.

3.0-3.5t T8 series mast: (pneumatic)

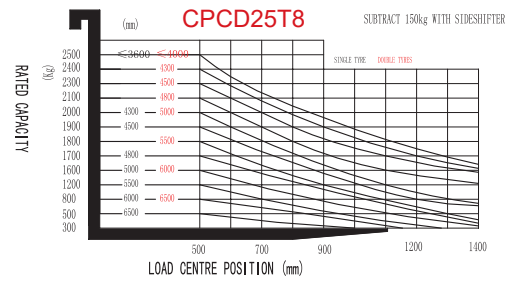
Type	Model	Max.fork height	Overall height				Free lift		Front Overhang		Tilt range		Capacity			
			Lowered	Extended		Without backrest	With backrest	3.0t	3.5t	FWD	BWD	Load capacity at 500 mm				
				Without backrest	With backrest							Single tire		Double tire		
			mm	mm	mm	mm	mm	mm	mm	mm	Deg	Deg	3.0t	3.0t	3.5t	3.5t
Wide view mast	2W200	2000	1570	2570	3250	120	120	481	486	6	12	3000	3000	3500	3500	
	2W250	2500	1820	3070	3750	120	120	481	486	6	12	3000	3000	3500	3500	
	2W270	2700	1920	3270	3950	120	120	481	486	6	12	3000	3000	3500	3500	
	2W300	3000	2070	3570	4250	120	120	481	486	6	12	3000	3000	3500	3500	
	2W330	3300	2220	3690	4370	120	120	481	486	6	12	3000	3000	3500	3500	
	2W350	3500	2320	3890	4570	120	120	481	486	6	12	3000	3000	3500	3500	
	2W360	3600	2370	3990	4670	120	120	481	486	6	12	3000	3000	3500	3500	
	2W400	4000	2620	4040	4720	120	120	481	486	6	12	2850	3000	3250	3500	
	2W430	4300	2770	4340	5020	120	120	481	486	6	6	2700	2900	3000	3400	
	2W450	4500	2870	4290	4970	120	120	481	486	6	6	2550	2850	2850	3350	
wide view full 2-stage mast	2F250	2500	1830	2220	2900	1210	560	481	486	6	12	3000	3000	3500	3500	
	2F270	2700	1930	2320	3000	1310	660	481	486	6	12	3000	3000	3500	3500	
	2F300	3000	2080	2620	3300	1460	810	481	486	6	12	3000	3000	3500	3500	
	2F330	3300	2230	3870	4550	1610	960	481	486	6	12	3000	3000	3500	3500	
	2F360	3600	2380	4020	4700	1760	1110	481	486	6	12	3000	3000	3500	3500	
	2F400	4000	2580	4420	5100	2060	1410	481	486	6	12	2850	3000	3250	3500	
	2F430	4300	2055	4910	5570	1360	730	495	500	6	6	2550	2850	2850	3350	
wide view full 3-stage mast	3F450	4500	2135	5070	5750	1460	810	495	500	6	6	2400	2700	2700	3200	
	3F480	4800	2240	5375	6050	1565	915	495	500	6	6	2250	2550	2450	2950	
	3F500	5000	2325	5570	6250	1610	960	495	500	6	6	1650	2250	2300	2800	
	3F550	5500	2575	6150	6830	1770	1120	495	500	3	6	1800	2250	1800	2550	
	3F600	6000	2825	6570	7250	2020	1370	495	500	3	6	1200	2100	1300	2300	

Note:1. With sideshifter minus 200Kg, with integral sideshifter minus 150Kg.

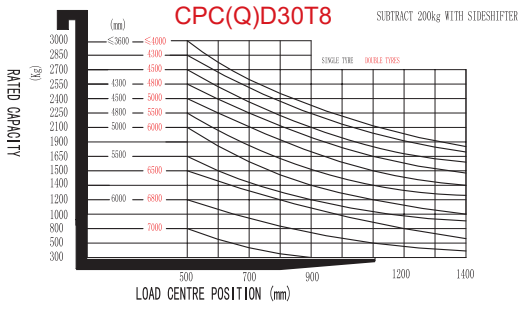
RATED CAPACITIES AND LOAD CENTERS GRAPH



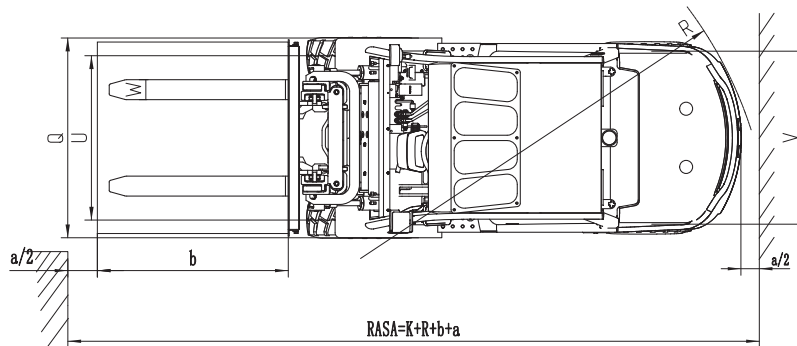
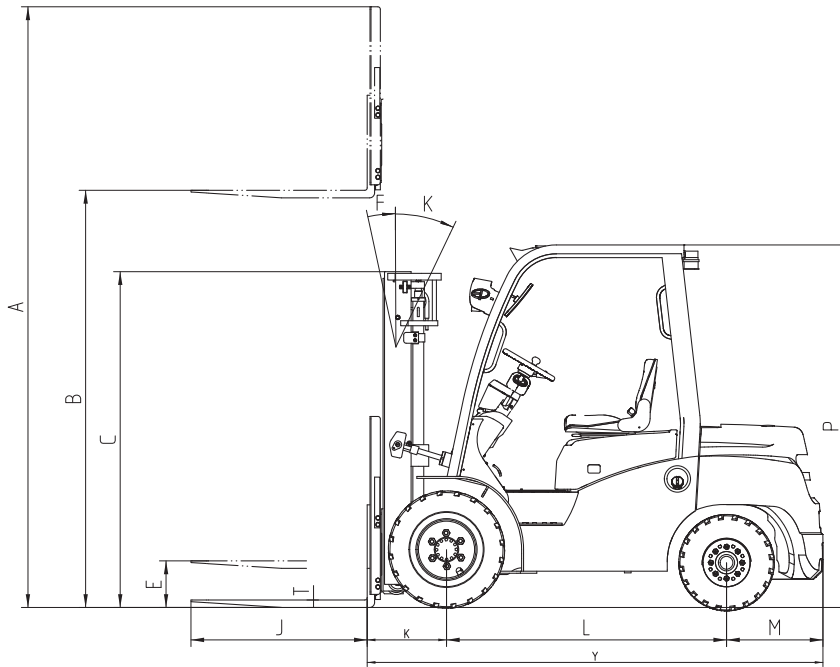
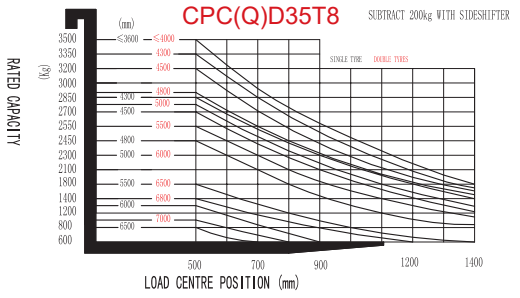
RATED CAPACITIES AND LOAD CENTERS GRAPH



RATED CAPACITIES AND LOAD CENTERS GRAPH



RATED CAPACITIES AND LOAD CENTERS GRAPH



Option

Options	20/25T8	30T8	35T8
1 Fork length	○	○	○
2 Fork extension	○	○	○
3 Folded fork	○	○	○
4 Imported diesel engine	○	○	○
5 Import Gasoline Engine	○	○	○
6 LPG system	○	○	○
7 High exhaust	○	○	○
8 Dual air cleaners or special air cleaner	○	○	○
9 Solid rubber tire	○	○	○
10 No marking solid tire	○	○	○
11 Overhead guard	●	●	●
12 Mast options	○	○	○
13 Attachments	○	○	○
14 Integrated side shift	○	○	○
15 Cockpit	●	●	●
16 heater	○	○	○
17 Front windshield with wiper	○	○	○
18 Rear windshield with wiper	○	○	○
19 Fan	○	○	○
20 Full steel cabin room	○	○	○
21 LED front light	●	●	●
22 Rear working LED light	○	○	○
23 Fire extinguisher	○	○	○
24 Suspension seat	○	○	○
25 Seat switch	●	●	●
26 Warning light	●	●	●
27 Insulation mat	○	○	○
28 Double front tyre	○	○	○
29 OPS system	○	○	○

Note: ● standard ○ option — NA

