

BS31 Pro

Sawmill



BRUGGER

An accurate cut!

With the basic version the machine you can cut logs up to 76 cm in diameter and up to 280 cm in length. The cutting length can be extended by 2 m at a time by adding the modular tracks.

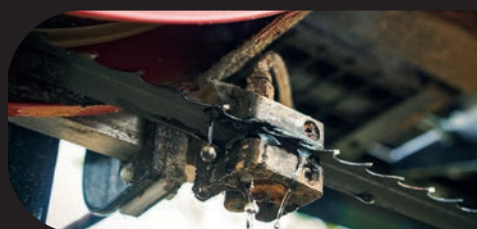


For every need!

Drive types:

- Kohler 14hp gasoline engine
- Electric motor 7,5kW, 400V

Features of the BS31 PRO:



Adjustable blade guide

The blade guide of the BS31 Pro can be adjusted as required. With automatic lubrication and cooling.



Accurate cut!

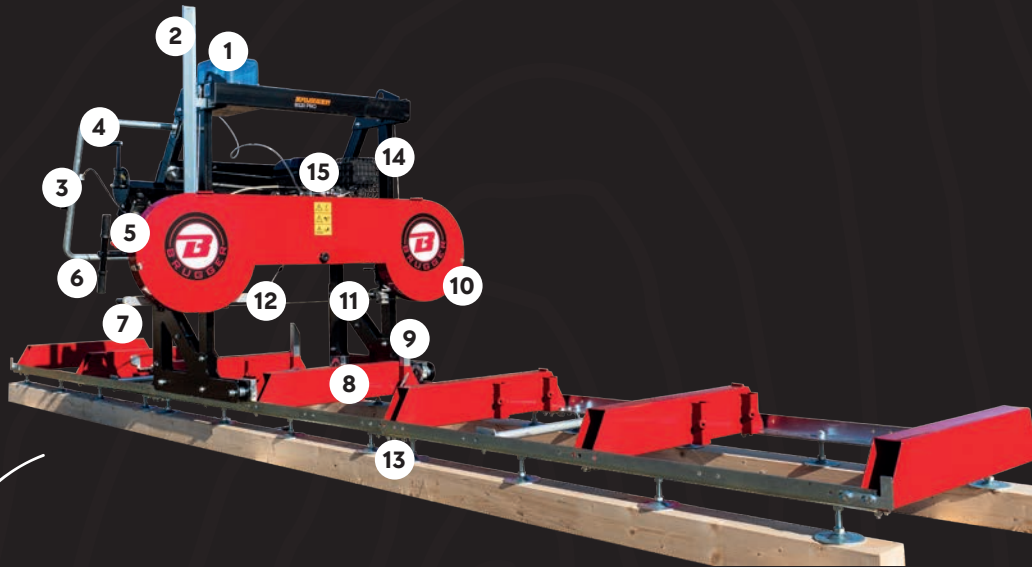
The BS31 Pro is extremely precise, with a cutting error of less than 0.5 mm; the professional xCut saw blades contribute to this. (Every 3 teeth one tooth is carbide)



Log levelling jack

The basic equipment of the Brugger BS31 Pro includes a special jack for levelling logs.

BS31 Pro Sawmill



Components:

- | | | | |
|---|--|-------------------------------|---|
| 1. Water tank, for lubrication and cooling | 5. Electric height adjustment (for quick adjustment) | 8. Log support stand | 14. Petrol engine (with electric motor variant) |
| 2. Digital blade height display | 6. Blade tension | 9. Log retainers | 15. Blade lubrication valve |
| 3. Accelerator lever (for electric control box version) | 7. Lever for blade guide adjustment | 10. Sawdust discharge | |
| 4. Manual height adjustment (for fine tuning) | | 11. Band saw | |
| | | 12. Adjustable blade guide | |
| | | 13. Adjustable levelling feet | |

Technical data:

Manufacturer: Brugger	Cutting depth: 178 mm
Model: BS31 Pro	Min. cutting length, standard version: 1000 mm
Gasoline Engine: Kohler Command CH440 14cv	Max. cutting length, standard version: 2794 mm
Electric motor: 7.5 kW 400 V	Cutting length with one additional rail: 4800 mm
Displacement: 420 cc	Main support: 4 pieces
Rotation speed: 4000 giri/min	Rail dimensions: 4000 x 1030 mm
Load: manuale	Blade speed: 17 m/min.
Max. log diameter: 760 mm	Blade diameter: 480 mm
Min. blade height: 25 mm	Blade length: 25 mm
Blade: x-Cut 4045 mm, 1,1 mm, 32 mm	Approximate weight: 560 kg

BS31 Pro

Sawmill

The **Brugger BS31 sawmill** is a simple machine with which logs up to 76 cm can be quickly and easily processed into construction material.

The sawmill is built with simple technology and is therefore **easy to use and requires little maintenance**.

The BS31 Pro is equipped with **electric** height adjustment, digital height display, adjustable blade guide and many other improvements that make work easier.

The BS31 Pro sawmill is perfect for **hobbyists**, but also for **professionals and forestry operators**.

With a **cutting accuracy of 0.5-1.0 mm**, the BS31 offers precise results.

Discover the BS31 log band saw: a reliable solution based on simple construction technology and therefore **simple operation and easy maintenance**

With a choice of **gasoline or electric motor**, the BS31 can be flexibly adapted to your needs.

The basic version can process **logs up to 76 cm** in diameter and up to 280 cm in length. With the optional track extensions it is possible to increase

the length of the log by 2 metres at a time, thus offering maximum flexibility.

An optional frame is **available for all models** to ease the transport.

Depending on the model, the log length to be processed is limited to 4 or 6 metres.

All trailers are equipped with a ball hitch drawbar attachment, ramps for standard attachments and a cable winch for easy loading of logs.

They are also equipped with **levelling supports and LED lighting**.

Note, however, that they are not road-legal.

You can see a video of the machine in action here:

<https://www.youtube.com/watch?v=2l-OHRSDI18>

For further informations on the machine:
www.bruggermachinery.com.

Scan the QR CODE and watch the video!





Basic equipment**Sawmill BS31 Pro**

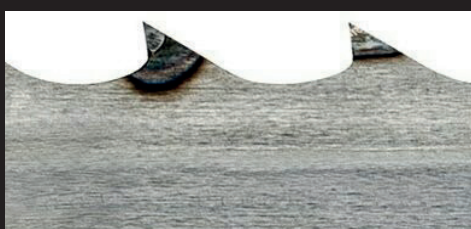
Gasoline motor - Kohler Command Pro CH440 - 14 CV

Electric motor - 7,5 kW 400 V

Wheeled chassis not included

€ 5.396,-**Suggested optionals:**

Balancing lift
(included)



Xcut blade
(one carbide teeth every 3)



2m modular track
(basic version is supplied with 4m rail for a cutting length of 3.2m)

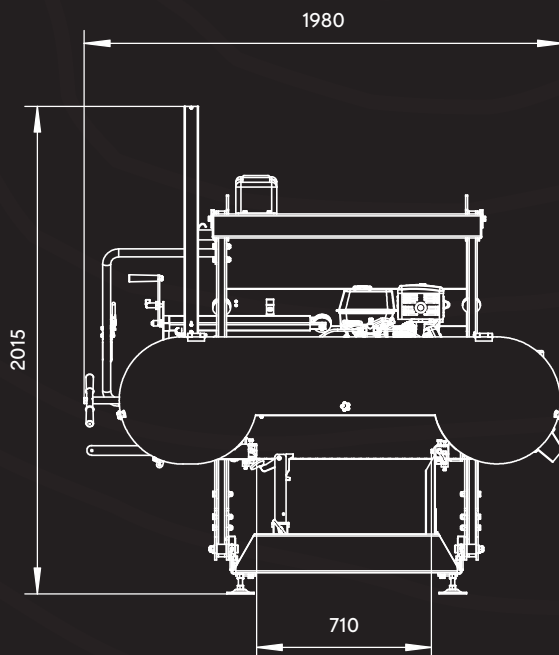
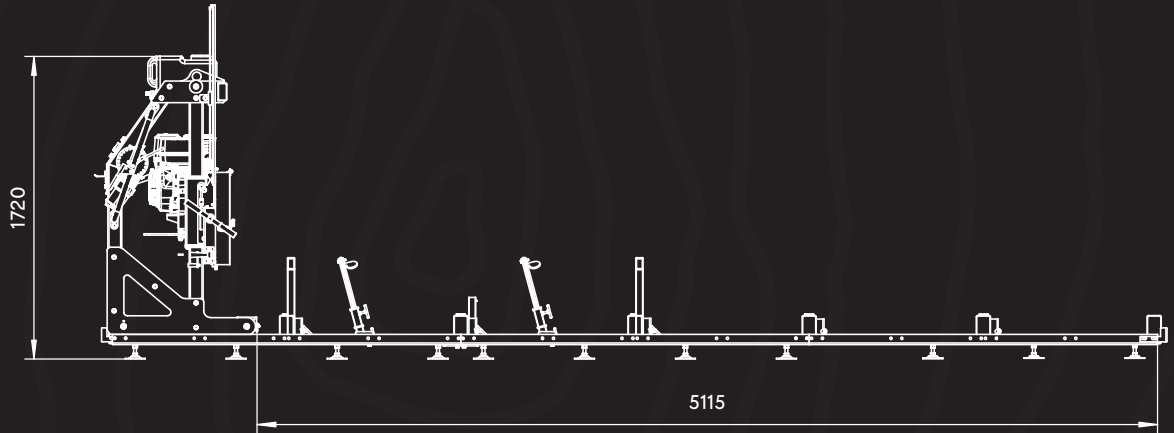
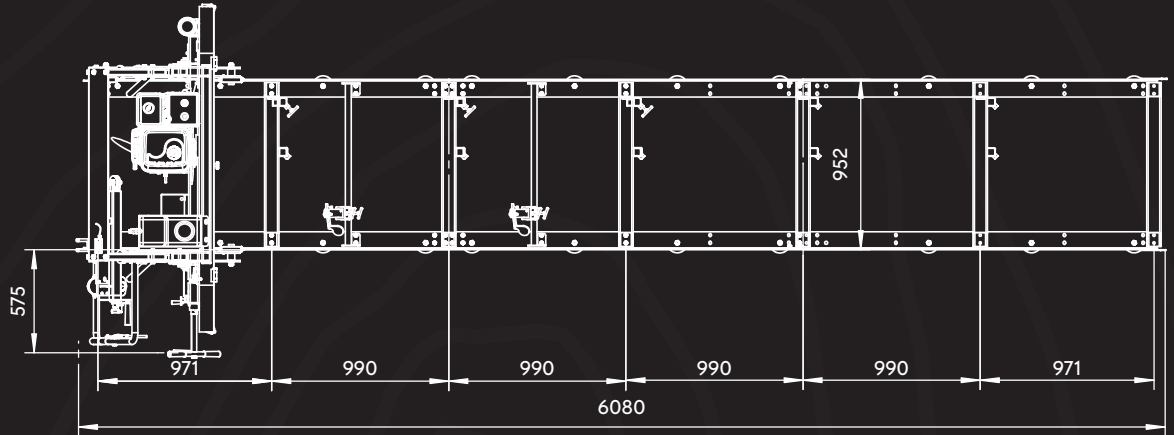
Pricelist:

Sawmill BS31Pro (standard version)	€ 5.396,-
2m modular track	€ 349,-
Wheeled chassis	€ 1.898,-
Xcut blade	€ 59,-

All prices are VAT EXCLUDED

Technical dimensions:

We have summarized all the important key figures, dimensions and performance data for you here.



BRUGGER

Machinery GmbH



Contact us for a
customised quote!
**Call us to request an
offer!**

Passion for Forest Machinery

BRUGGER

Brugger Machinery

Bacherweg 11
39030 Gais BZ Italien

Tele: +39 327 397 0120
Mail: info@bruggermachinery.com
Web: www.bruggermachinery.com

The information in this brochure contains information and content that are protected by law.



Version: 1.0 | EN

www.bruggermachinery.com

