

# SA48 Pro

## Log Splitter



**BRUGGER**

## Ash, beech, oak?

Even the strongest hardwood logs give up in front of the 20 tons of splitting pressure of our SA48 Pro!



For every need!

### Drive types:

- 14HP powerful Kohler petrol engine
- 7.5kW, 400V electric motor
- PTO drive (Tractor engine must have at least 20HP)

The electric or gasoline engine versions are mounted on a chassis, while the PTO-driven version is directly connected to the tractor's three-point hitch.

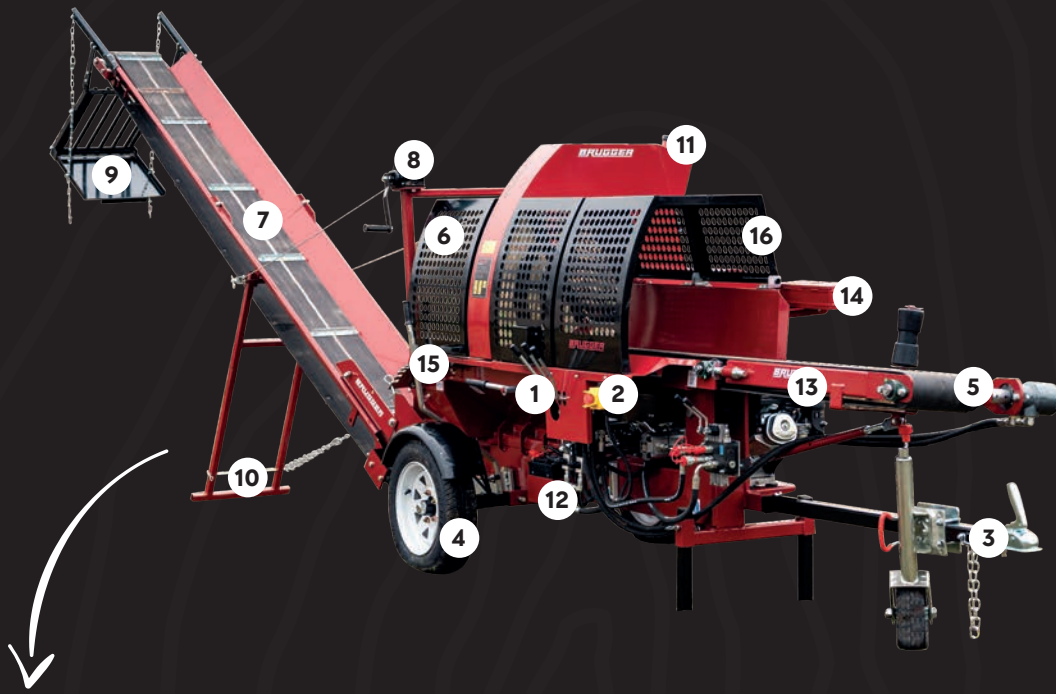
The electric and gasoline engine version can be upgraded with an additional PTO drive.

### Advantages of the SA48 Pro:

- Swiveling conveyor belt
- Automatic chain lubrication
- Reinforced frame
- Improved cutting length limiter
- Higher position of control levers
- Reinforced casing parts



# SA48 Pro Log Splitter



## Components:

- |   |  |   |  |
|---|--|---|--|
| 1. Control lever for conveyor belt, log clamp, and chainsaw   | and electric versions (The version with PTO drive does not have a chassis) | 8. Winch for setting the inclination of discharge conveyor belt | 13. Gasoline engine (Same position for electric motor) |
| 2. Emergency stop switch  | 5. Infeed conveyor belt  | 9. Chips sieve  | 14. Tool Box   |
| 3. Drawbar, only available in gasoline and electric versions (The version with PTO drive does not have a chassis) | 6. Protection Cover (When open, the hydraulic rod and chain are blocked.)  | 10. Support foot for conveyor belt                              | 15. Height adjustment for splitting cross              |
| 4. Axle, only available in gasoline   | 7. Discharge conveyor belt   | 11. Chain oil tank  | 16. Safety cover                                       |
|   |  | 12. Starter battery (Only for gasoline engine)                  |  |

## Technical data:

<b>Manufacturer:</b> Brügger	<b>Maximun log diameter:</b> 48 cm
<b>Model:</b> SA48 Pro	<b>Forward + reverse splitting rod speed:</b> 8 Sec.
<b>Hydraulic pump:</b> Parker	<b>Engine:</b> Kohler 440
<b>Pump pressure:</b> 250 Bar	<b>Chainsaw bar length:</b> 22 inches, 56 cm
<b>oil flow</b> <b>Oil flow:</b> 55 l/min	<b>Adjustable Log length:</b> 15 – 50 cm
<b>Cylinder diameter:</b> 105 mm	<b>Chainsaw speed:</b> 4000 rpm
<b>Hydraulic oil tank:</b> 45 l	<b>Feeding table, 1.8 m:</b> hydraulic
<b>Splitting wedge:</b> 4 / 6 / 8 pieces	<b>Conveyor belt, 3.2 m:</b> hydraulic
<b>Splitting pressure:</b> 20 Tons	<b>Approximative weight:</b> 830 kg

# SA48 Pro

## Log Splitter

The Brugger SA48 Pro automatic splitting machine offers the optimal solution for efficient firewood processing.

With its impressive splitting pressure of **20 tons**, it effortlessly handles even hardwood logs. It allows for quick and uncomplicated cutting and splitting of logs with a **diameter of up to 48 cm**, making firewood processing a pleasure.

The SA48 Pro ensures significant time and energy savings in woodwork.

In April 2024, the popular SA27 Pro was replaced by the new improved version, the SA48 Pro.

The length of the logs can be continuously adjusted from **15 to 50 cm**. The height of the splitting wedge can be adjusted by a hand lever.

This makes it possible to split the logs into **2, 4, 6, or 8 pieces depending on the thickness of the wood**. If a log is too large, it is simply thrown back and split again.

The work can be further facilitated by the optionally available **log lifter or chain conveyor**.

With the chain conveyor, several logs can be loaded using a forklift, crane, or front loader, so that not only one log has to be lifted at a time. When using a log lifter or chain conveyor,

logs with a length of over 5 meters can be processed, while the basic version of the machine processes logs with a length of 2 meters. carried out easily and quickly.

Despite its high splitting force and power, the **machine remains compact and easy to transport**. The saw-splitting machine is sold without a certification for use on public roads. The saw-splitting machine impresses with its simple yet well-thought-out design.

It eschews electronic controls and is operated exclusively by mechanical components.

This results in low maintenance requirements and repairs can be

A video of the log splitting machine in action can be seen here:

[www.youtube.com/watch?v=9u2LSAP-r-g](https://www.youtube.com/watch?v=9u2LSAP-r-g)

**For further information on the machine:**

[www.bruggermachinery.com](http://www.bruggermachinery.com).

Scan the QR CODE and watch the video!





**Basic equipment:****Log Splitter SA48 Pro**

The new SA48 Pro, equipped with materials of the highest quality, performance and comfort.

**€ 9.949,-**

All prices exclude VAT.

**Splitting wedge (optional)**

6-way - splitting wedge

8-way - splitting wedge

**€ 199,-**

**€ 299,-**

All prices exclude VAT.

**Additional PTO drive**

For electric or gasoline version (min. 30HP)

**€ 749,-**

All prices exclude VAT.

**Equipment****Chain conveyor**

The mechanical chain conveyor picks up the desired amount of logs and holds them ready for further processing.

Payload - 1,500 kg

**€ 1.898,-**

All prices exclude VAT.

**Equipment****Log lifter**

Our mechanical log lifter helps you lift thicker logs or heavy timber lying on the ground with a sturdy arm.

Load capacity - 500 kg

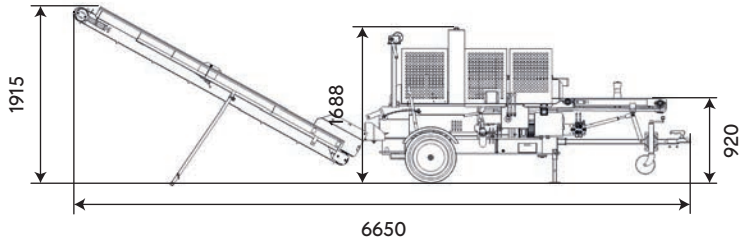
**€ 1.498,-**

All prices exclude VAT.

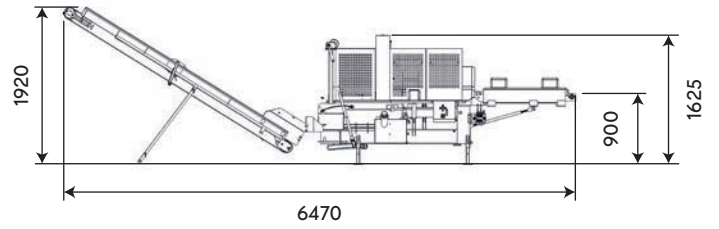


## Dimensions working position:

Electric or petrol engine version

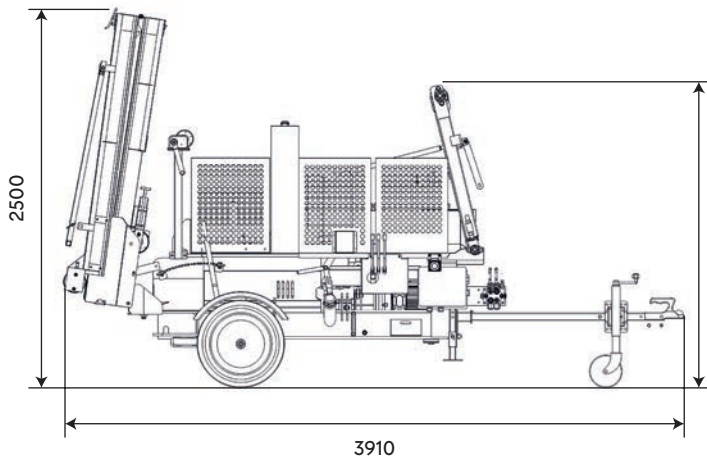


PTO version

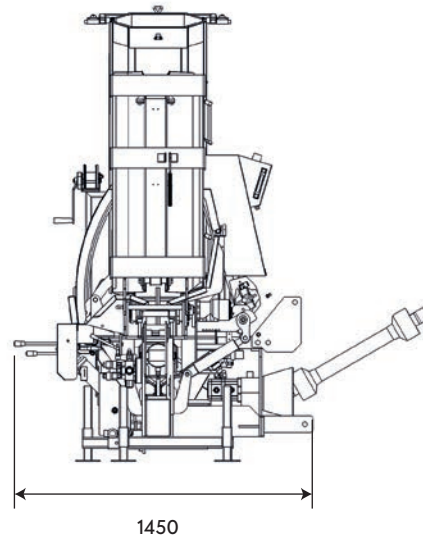
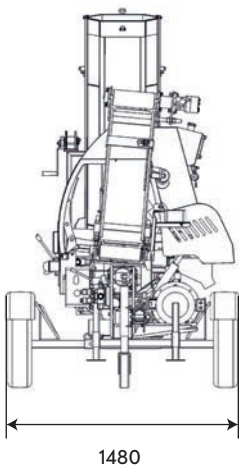
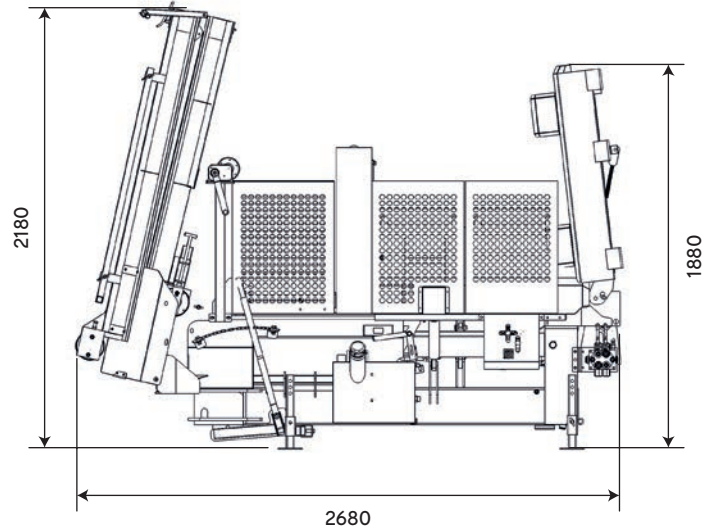


## Dimensions transport position:

Electric or petrol engine version



PTO version



**BRUGGER**

Machinery GmbH



**BRUGGER**

Sawmill BS31 Pro



**BRUGGER**

Wood chipper PX180 Pro



**BRUGGER**

Log splitter Power Split S22/S30





**BRUGGER**  
Machinery GmbH

**BRUGGER**  
Log grip Gripper 130



**BRUGGER**  
Wood chipper PX130 - 170

# WIDE RANGE OF MACHINES FOR THE TOUGHEST CHALLENGES.

Discover our wide range of powerful forestry and log processing machines at: [www.bruggermachinery.com](http://www.bruggermachinery.com).

Take advantage of our range now!

[www.bruggermachinery.com](http://www.bruggermachinery.com)



## Notes/Appunti/Notizen

**BRUGGER**

# ORDER SPARE PARTS IN THE BEST QUALITY!

Do you need a spare part for your Brugger machine?  
No problem! Order spare parts or accessories  
quickly and easily.

Please let us know your desired model, equipment  
and delivery address.

[www.bruggermachinery.com](http://www.bruggermachinery.com)



**BRUGGER**

Machinery GmbH



Contact us for a  
customised quote!  
**Call us to request an  
offer!**

# Passion for Forest Machinery

**BRUGGER**

**Brugger Machinery**

Bacherweg 11  
39030 Gais BZ Italien

Tele: +39 327 397 0120  
Mail: [info@bruggermachinery.com](mailto:info@bruggermachinery.com)  
Web: [www.bruggermachinery.com](http://www.bruggermachinery.com)

The information in this brochure contains information and content that are protected by law.



Version: 1.0 | EN

[www.bruggermachinery.com](http://www.bruggermachinery.com)

