

GRIP 130

Log grip



BRUGGER

An essential aid!

The Grip 130 log grip with a 3 ton continuous rotor and a clamping force of 85 kn is suited for farmers, forestry operators and all those who need a reliable grapple for their timber work.



Specifications:

- ✓ Clamp opening 130 cm
- ✓ Rear 3-point hitch connection
- ✓ Euro-type front connection
- ✓ Rotation force 3 ton 360°

Features of the Grip 130:



Clamp opening 130cm!

Maximum clamp opening 1300mm
Minimum clamp opening 70mm
Clamping force 85kn



Front connection!

The clamps can be mounted on any front loader or wheel loader with EURO attachment.



Rear connection!

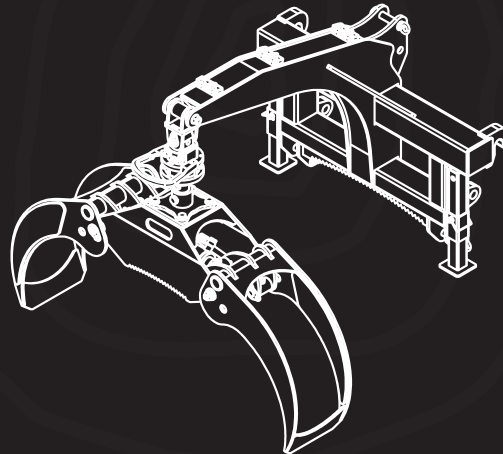
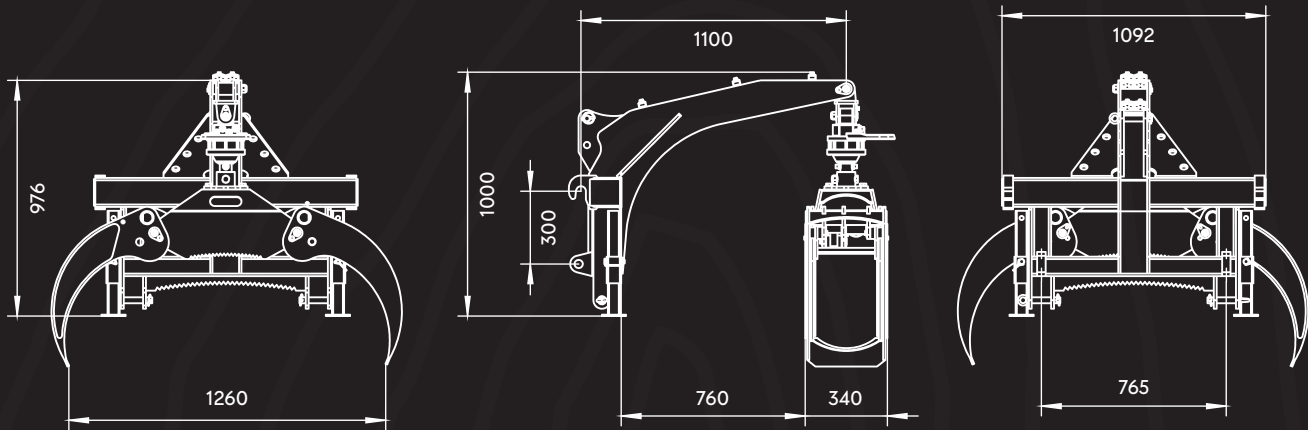
The Grip 130 can also be connected to the rear three-point hitch Cat 1-2.

GRIP 130

Log clamp

Technical dimensions:

We have summarized all the important key figures, dimensions and performance data for you here.



Technical data:

Manufacturer:	Brugger
Model:	Grip 130
Max. clamp opening:	130 cm
Min. Clamp opening:	7 cm
Arm length:	110 cm
Clamping force:	85kN
Rotor:	rotational force 3t continuous on 360°
Clamp width:	40 cm
Tractor front connection:	Euro
Tractor rear connection:	Cat 1/2
Approximative weight:	310 kg

GRIP 130

Log grip

The Brugger Grip 130 log grip **with 3-tonne endless rotor** is the ideal solution for efficient moving and handling of logs and wood.

The clamps have an **opening of 130 cm** and are equipped with a powerful rotor for precise control and rotation.

The versatile attachment options make the Grip 130 extremely flexible. It can be easily attached to the tractor with a **rear three-point hitch or to the front loader with a Euro hitch**.

This adaptability allows for efficient log handling in various application areas.

The Brugger Grip 130 hydraulic grapple offers an impressive 130 cm opening and is equipped with a powerful **3 tonne rotor** with 360° continuous rotation.

The Grip 130 hydraulic grip is built with simple technology and is therefore very, very easy to use, requiring simple maintenance.

The Brugger Grip 130 hydraulic grab is the ideal solution for **professional forestry operators and timber transport companies who** appreciate its efficiency, performance and reliability.

With its robust construction and its versatility, it is a indispensable tool for mastering demanding forestry work. With a weight of 310 kg, it is robust and at the same time light enough for various applications in **forestry and timber transport**.

Euro and three-point attachment: the GRIP130 timber grapple is equipped with a **front Euro hitch and a**

rear three-point hitch (Cat. 1 / Cat. 2), which allow quick and easy attachment to various carrier vehicles and increase its versatility.

The robust construction and high-quality workmanship guarantee longevity and reliability even under difficult conditions.

The Brugger Grip 130 grapple is the perfect choice for **farmers, forestry operators and anyone who needs a reliable grapple for timber work**.

You can see a video of the machine in action here:

www.youtube.com/watch?v=I25NZRUC-Eg

For further informations on the machine:

www.bruggermachinery.com.

Scan the QR CODE and watch the video!



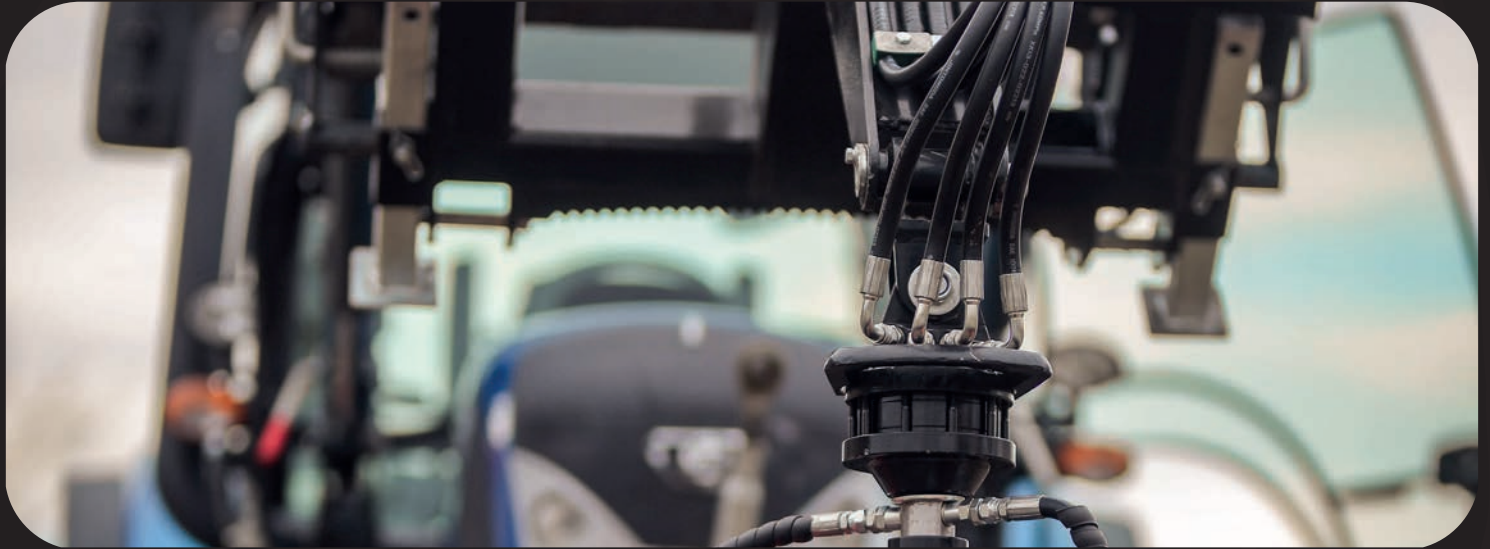


Optionals**Switching valve 12V**

Can be used if only one double-acting hydraulic circuit is available.

€ 189,-

All prices are VAT EXCLUDED

**Log Grapple GRIP 130**

Grip 130 grippers are the ideal solution for efficient Log handling.

€ 2.459,-

All prices are VAT EXCLUDED



BRUGGER

Machinery GmbH



BRUGGER

Sawmill BS31 Pro



BRUGGER

Automatic log cutter and splitter SA 48 Pro

WIDE RANGE OF MACHINES FOR THE TOUGHEST CHALLENGES.

Discover our wide range of powerful forestry and log processing machines at:
www.bruggermachinery.com.

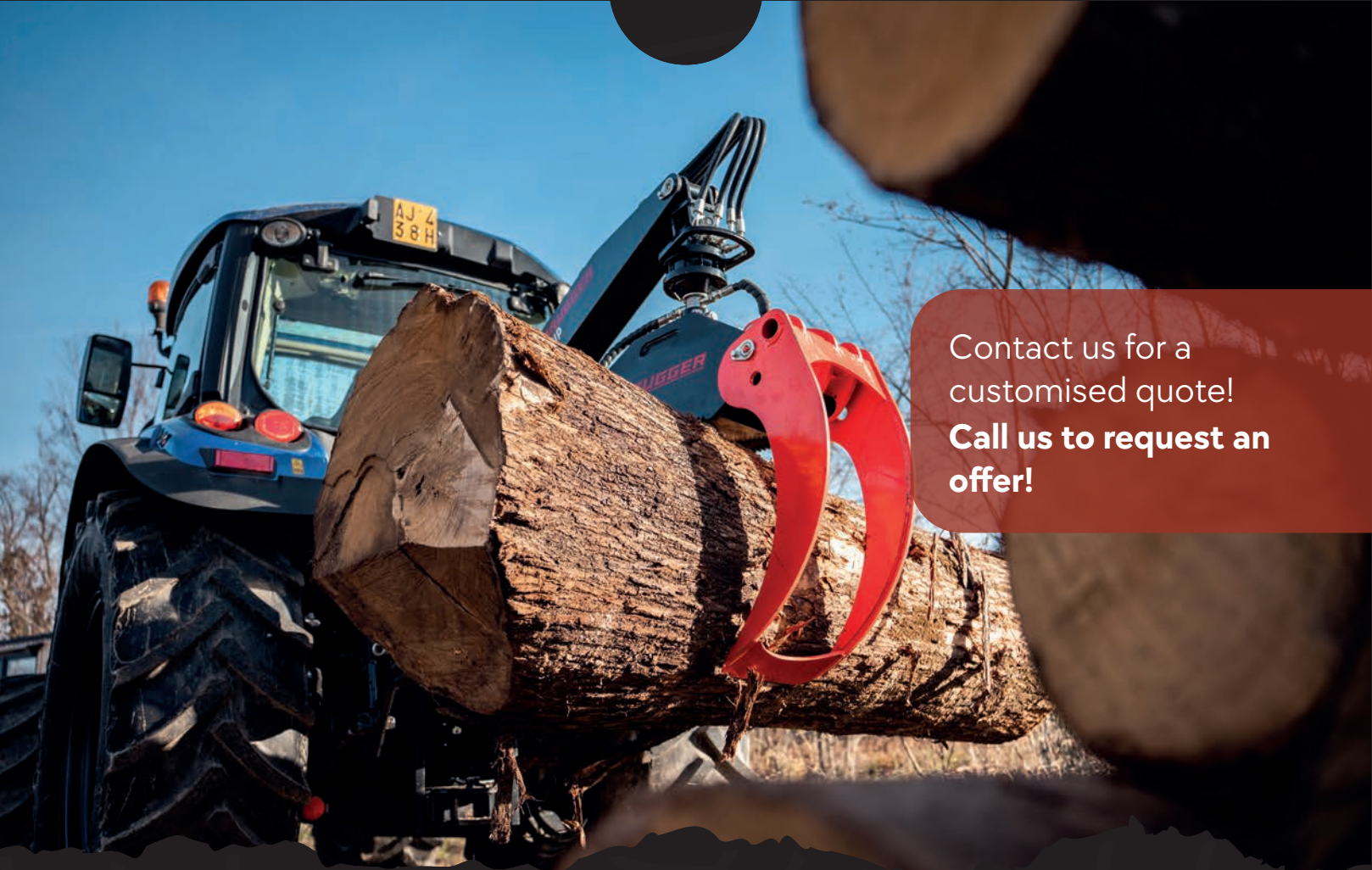
Take advantage of our range now!

www.bruggermachinery.com



BRUGGER

Machinery GmbH



Contact us for a
customised quote!
**Call us to request an
offer!**

Passion for Forest Machinery

BRUGGER

Brugger Machinery

Bacherweg 11
39030 Gais BZ Italien

Tele: +39 327 397 0120
Mail: info@bruggermachinery.com
Web: www.bruggermachinery.com

The information in this brochure contains information and content that are protected by law.



Version: 1.0 | EN

www.bruggermachinery.com

