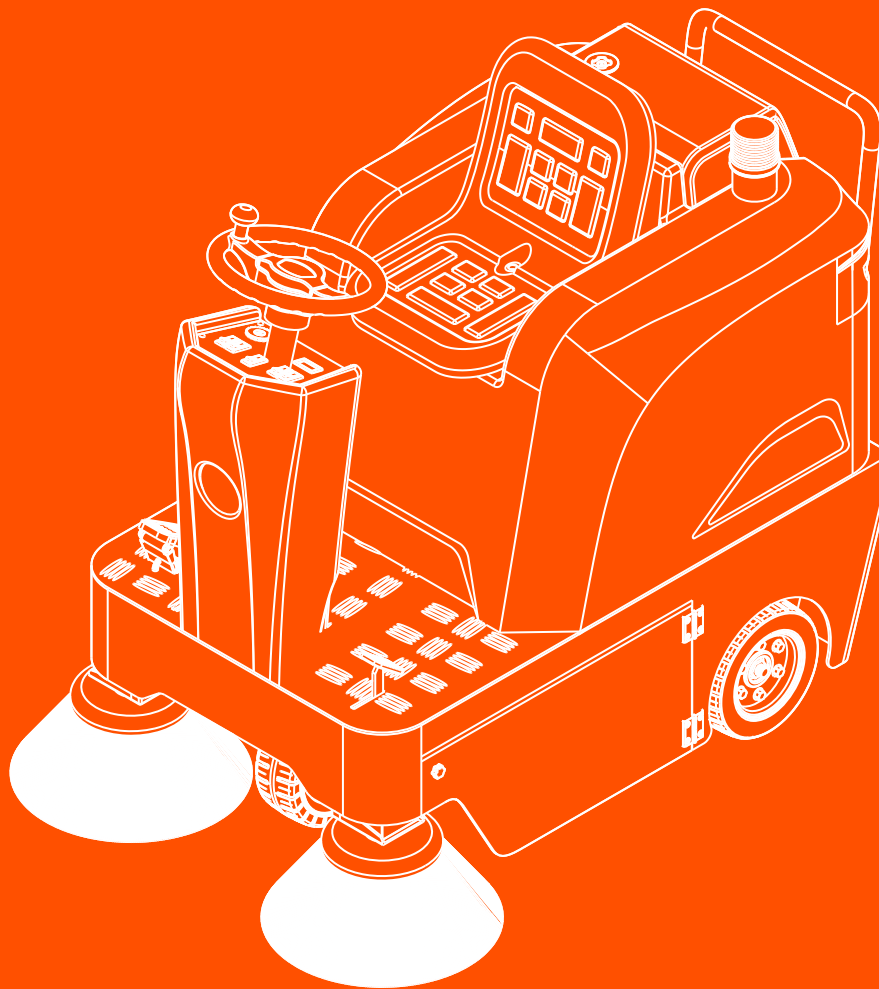




DAEWOO
POWER PRODUCTS

DAS80
RIDE-ON SWEEPER
BARREDORA INDUSTRIAL



USER'S MANUAL

www.daewoopowerproducts.com

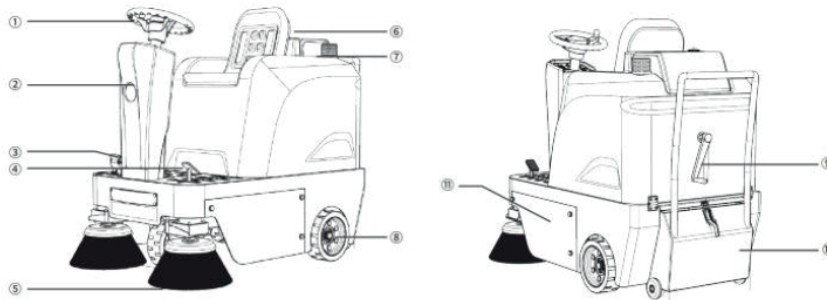
Manufactured under license of Daewoo International Corporation, Korea

INDEX

1. PARTS AND PERFORMANCE PARAMETERS.....	1
2. CHAPTER 1 DESCRIPTION.....	3
3. CHAPTER 3 ROUTINE MAINTENANCE AND DISASSEMBLY AND REPLACEMENT OF WEARING PARTS.....	3 9
4. CHAPTER 4 SWEEPER TROUBLESHOOTING.....	12
5. TECHNICAL DATA.....	15
6. EXPLODED VIEW AND SPARE PART LIST.....	16
7. DECLARATION OF CONFORMITY.....	19
8. WARRANTY.....	20

1. PARTS

The product is one of compression sprayers developed by this Company which is economical, safe and highly efficient. It's beautiful in shape, uniform in atomization, simple in structure, convenient for operation. This Sprayer is applicable for horticulture applications flowers and garden plants insect control, cleaning of public places as well as hygiene and disease control offowl and livestock houses.



1. Steering wheel
2. Headlamps
3. Brake bracket
4. Front fender lift bracket pedal
5. Stiff Edge Brush
6. Leather Seats
7. Water tank
8. Anti-skid tires
9. Dust seesaw
10. Trash can
11. Inspection port

2. CHAPTER 1 DESCRIPTION

1.1 Content and Purpose

The following content points out potentially hazardous situations. Please read these instructions carefully and take the necessary precautions . the machine operating manual
Essentially for injury prevention, most accidents are caused at work by not heeding basic safety rules .

a careful and careful

A careful user is the best guarantee against accidents, even stronger than some other preventive measures . When using the machine, be sure to pay attention to your surroundings and people nearby, especially children.

1.2 General Instructions

Before any maintenance and repair, please turn the start switch to the off position, and please remove the key from the main power switch .

The machine must be used by qualified and authorized personnel . Children and disabled persons are not allowed to use the machine .

Keep the battery away from sparks, flames and smoke .

Do not use in places where dangerous, flammable or explosive gas, liquid and water vapor are present .

This machine can clean general garbage . It is strictly forbidden to clean silk ropes, belts, high-temperature sundries, accumulated water, flammable or toxic and harmful substances, so as to avoid entanglement and burning of the main brush and side brush, making it unable to work normally .

Please keep loose clothing, hair, fingers and other parts of the body away from the air vents of the machine and any moving parts .

When the machine stops, remember to turn off the power .

Do not use the machine where the inclination exceeds the rated value of the machine.

Please do not smoke while charging the battery .

Do not use the machine in a very dirty area . If the road garbage is thick, please repeat the sweeping work twice or more .

The machine should be in temperature - 10°C to 40°C .

When using the machine, the temperature should be between - 10°C to 40°C, and the humidity should be between 30% and 95% .

Do not use the machine as a means of transportation .

When the machine is not moving forward, do not let the brush continue to rotate to avoid damage to the ground .

In case of fire, please remember to use powder fire extinguisher instead of water .

When the machine operation fails, make sure that the failure is not caused by lack of regular maintenance .

If some parts need to be replaced, you can purchase spare parts from the original manufacturer or authorized dealer .

Confirming that the machine is in proper operation and safe conditions, professionals or service centers must work in accordance with the maintenance section of this manual .

Even if the machine is to be dismantled and scrapped, someone should be there to pay attention .

Because some harmful substances (such as batteries, waste oil, etc .) have met the standards, they should be sent to a specific center for processing

1.3 Safety requirements for batteries

- Batteries must be avoided in a low voltage state and should be charged as soon as possible. To avoid leakage of electricity, keep the battery dry and clean, especially to remove contaminants such as metal dust.
- It is forbidden to put metal parts (such as tools) on the battery to prevent the battery from being short-circuited and burnt out.
- The charging compartment should be well ventilated.
- When the key switch is in the ON position, it is forbidden to connect or remove the battery
- Before removing or installing batteries, disconnect the negative (-) battery wire and then the positive (+) battery wire. When rewiring, be sure to pay attention to the polarity of the battery, as wrong connection will damage electrical components.
- Avoid direct contact between the positive electrode and the negative electrode, because it will cause a large current short circuit, generate high heat and even cause a fire.

1.4 General Safety Regulations

In addition to the provisions made in this manual, the required general safety regulations and accident prevention guidelines must also be observed. Even if you have used a similar sweeper before, please read the instructions carefully. Reading the instructions beforehand will save you a lot of time in the future. It is important that you become familiar with all accessories and controls and their functions before you start using them. Please read this manual thoroughly so that you don't get scrambled when you turn it on.

CHAPTER 2 USE OF THE MACHINE

2.1 Machine keys/pedals

2.1.1 The core control keys of the machine

Electricity/Voltmeter (the display device can display the current battery voltage, please charge when the voltage is lower than 42V).

key switch

sweep button

forward and back buttons

Horn button

headlight button

sprinkler button

Vibration button



pay attention:

1) The sweeping button is divided into three gears:

The main brush, side brush and fan at the front block can be started with one key, and the main brush and side brush will automatically descend, which can be used for cleaning operations;

In the middle gear (debugging gear), the main brush, side brush and fan stop rotating, the main brush side brush does not rise, and the height of the main brush side brush can be adjusted; the reset gear main brush side brush lifts.

(2) Dust vibrating button: The dust vibrating function can be used only after the sweeping button is turned off.

-Sprinkler mechanical valve (be sure to open the sprinkler mechanical valve after

avoid entanglement and burning of the main brush and side brush, making it unable to work normally .

Please keep loose clothing, hair, fingers and other parts of the body away from the air vents of the machine and any moving parts .

When the machine stops, remember to turn off the power .

Do not use the machine where the inclination exceeds the rated value of the machine.

-Accelerate the pedal to control the speed of the machine. The greater the pressure, the faster the speed.

-Brake pedal, control the function of machine parking and emergency stop.

-Front fender lift bracket pedal [If you need to clean large garbage (such as cans , cigarette boxes, etc.), step on the front fender lift bracket pedal, the main brush can sweep the large garbage into the trash can]

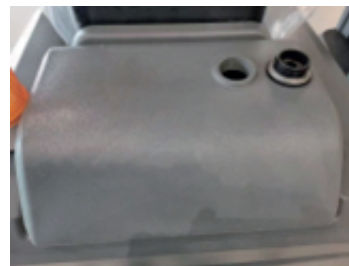


2.1.2 Battery charging

-The cable of the charging socket needs a power cable with a diameter of at least 6mm. If you need to stop charging during the charging process, power off directly.

2.1.3 Water tank

-Before using the machine, unscrew the cover of the water tank and pour clean water into the water tank. Pay attention to the clean water quality to prevent the waterway from being blocked



2.2 The operation process of the machine

Before start

-Under normal operating conditions of the machine, verify that no doors or lids have been opened and that the hopper is properly closed. If the machine cannot be used after shipping, please check each part first.

Power display

-Insert the starter key in the steering wheel console and turn the starter switch clockwise to the "ON" position. After three seconds, the display shows the battery voltage value. If the voltage is lower than 42V, please charge it before use



Start the machine

-sitting in the driver's seat

-Gently depress the brake pedal and turn the starter key to the "ON" position;

- Move the machine to the work area with the steering wheel and the forward/reverse buttons (forward for forward, backward for reverse). The driving speed is adjusted from 0 to the maximum value by the pressure of the accelerator pedal;

-Press the sweep function button to start sweeping, and use the steering wheel, accelerator pedal and forward/reverse buttons to move the machine.

-The dustbin must be closed when sweeping.

-This sweeper implements automatic and one-button operation. When the sweeping function button is pressed, all sweeping motors (including the main brush motor, side brush motor, and fan motor) will automatically work, and the main brush and side brush will automatically descend.



Stop of the machine

-Release the accelerator pedal to stop the machine.

-Press the sweeping stop button. All sweeping functions are stopped, and the main brush and side brush are raised.

-Turn the start switch to the "OFF" position

3.3 Machine Operation Precautions

-Avoid stopping the machine for extended periods of time and letting the brush roll in the same place; this will leave unnecessary marks on the ground.

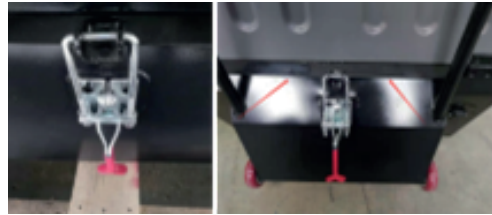
-If you need to collect large light waste, you can lift the front cover by stepping on the pedal to pass the large light waste through the machine, remember that when the front cover is raised, the vacuuming capacity of the machine will be reduced.

-In order to clean the machine well, be sure to clean the filter screen, stop the machine, press the dust vibration switch, and start the dust vibration motor to vibrate the filter within 1 minute. After cleaning the filter, restart the sweeping operation.

-When working, the filter needs to be vibrated every 30 minutes on average. (depending on the garbage in the area to be cleaned)

-When the filter is clogged or the bin is full, the machine cannot collect garbage and should not work on wet ground to avoid damage to the filter.

-The bin must be emptied every time work is completed or the bin is full.



Empty the trash

- The litter box buckle opens.
 - Pull the trash can down and then out to box back into the machine and fasten the litter box buckle.
- Note: The sealing strip of the dustbin is tightly fitted with the box body.
- The machine is ready to work again

Push/drag of the machine

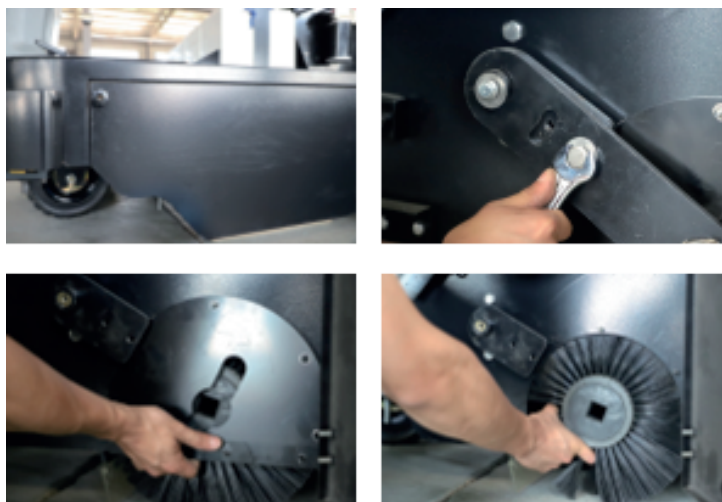
- Push/drag the machine when the machine is turned off, or drag the machine when there is a fault to ensure that the speed is not greater than 5km/h. Press the button to forward gear when moving forward, and press the button to reverse gear when reversing

After using the machine

- Press the reset button to raise the main and side brushes.
- Press the dust vibration button to vibrate the filter.
- Empty the trash
- Remove the key from the power switch.
- When the machine stops working, the brush must be lifted to prevent the brush from deforming.

Machine storage and maintenance

- If the machine will not be used within 30 days, store the machine in a clean and dry place, disconnect the battery connector.



3. CHAPTER 3 ROUTINE MAINTENANCE AND DISASSEMBLY AND REPLACEMENT OF WEARING PARTS

3.1 Periodic inspection

Regular maintenance and inspection		Intervals (h)				
		4	50	100	200	500
1	Battery level detection					
2	Motor carbon brush inspection					
3	Whether the main brush is wired, the silk is entangled					
4	Is there any debris in the tank					
5	Check the buttons on the control panel					
6	The degree of wear of the brush					
7	Whether the filter has impurities					
8	Check the sprinkler joint for leaks					

3.2 Replacement and installation of the main brush.

- Make sure the machine is stationary
- Open the right side panel of the machine, use an open-end wrench to remove the rocker arm of the main brush, the sealing plate and the fixing nut of the fender bracket;



- Take out the worn main brush, replace the new main brush, install the sealing plate nut first, then install the fender support nut, and finally install the rocker arm nut;

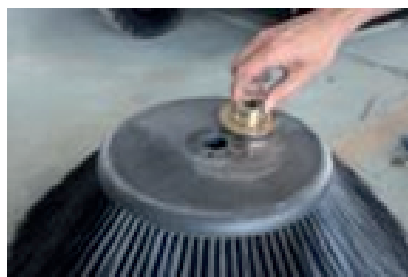
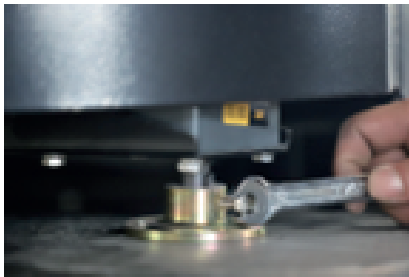
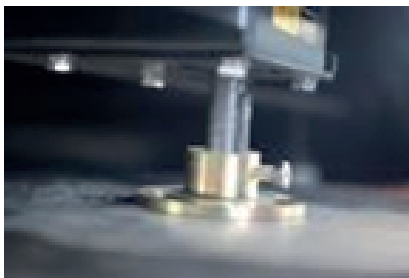
-Move to the top of the sweeping button switch, the main brush motor, side brush motor, suction motor, and push rod motor start work at the same time; observe whether the rotation of the main brush is abnormal. until it doesn't vibrate. If it is normal, close the right side hoarding and clean it.

3.Side brush replacement

-Make sure the machine is stationary

-Use an Allen wrench to loosen the bolts of the side brush, and press the side brush down by hand, the side brush can be removed;

-Hold the flange keyway of the new side brush up, fasten it on the side brush motor, tighten the screws, and leave the side brush with both hands so that it does not fall off.



3.4 Removal and installation of trash can

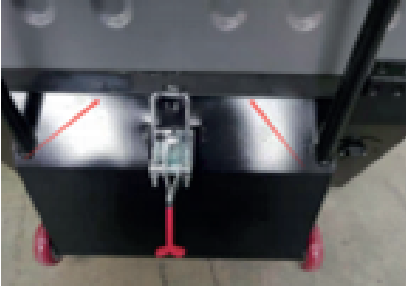
-Make sure the machine is at a standstill;

-Release the rubbish bin lock, pull out the rubbish bin, and dump the rubbish in the rubbish bin;

-After the garbage is emptied, align the mouth of the garbage can with the correct position of the sweeper, and slowly push it forward.

-Push it all the way and then press the buckle down firmly to return the bin. Note: The sealing strip of the dustbin is tightly fitted with the box body.





Attention

The garbage can is stuffed into the groove, and the sealing strip on the garbage can in close contact with the machine. If it doesn't fit, loosen the lock and reinsert it.

-In order to make the battery have a long service life, it should be charged in time after the machine is finished, and deep discharge is strictly prohibited.

-The correct charging method of lead-acid battery: first insert the battery, then plug in the mains; when fully charged, first disconnect the mains, and then remove the battery plug.

-If the machine is not used for a long time, please fully charge the battery, disconnect

3.5 Battery maintenance

The power system of this sweeper is powered by four 12V maintenance-free lead-acid batteries in series, and the system voltage is 48V.

-When the machine works for a period of time, the battery power drops, and when the last bar of the power display meter is flashing, it indicates that the power is insufficient and needs to be charged in time;

-When maintaining the battery, please wear protective gloves to avoid contact with the acid substance of the battery;

-Check whether the battery connecting wire is worn and the contact parts are loose, and replace it if necessary;

-The battery terminal should be kept clean and dry, and there should be no debris and dust covering it, which is extremely unfavorable to the battery, and will burn the battery in severe cases.

3.6 Cleaning of the water valve filter element

Unscrew the upper screw cap of the filter, take out the filter screen inside, and clean it with clean water.



4. CHAPTER 4 SWEEPER TROUBLESHOOTING

Problem	Reason	Solution
main brush not working	Main brush fuse blown	Replace the main brush fuse
	Main brush motor burned out	Replace the main brush motor
	Motor thermal overload start	Wait 5 - 10 minutes, after the motor cools down, you can reset and start
	DC contactor burned out	Replacing the DC Contactor
Side brush not working	Side brush fuse blown	Replace the side brush fuse
	Side brush motor burned out	Replace the side brush motor
	Motor thermal overload start	Wait 5 - 10 minutes, after the motor cools down, reset and start
	DC contactor burned out	Replacing the DC Contactor
fan not working	Blower fuse blown	Replace fan fuse
	Fan motor burned out	Replace the fan motor
	DC contactor burned out	Replacing the DC Contactor
	Motor thermal overload start	Wait 5 - 10 minutes, after the motor cools down, can reset and start
Main brush, side brush, fan not working at the same time	Dc Contactor Burned Out	Replacing The Dc Contactor
	Motor Thermal Overload Start	Wait 5-10 Minutes, After The Motor Cools Down, You Can Reset And Start.
Spray not working	Water Pump Fuse Blown	Replace The Water Pump Fuse
	Water Pump Motor Burned Out	Replace The Water Pump Motor
The pump works, the spray effect is not obvious	Nozzle Is Clogged	Remove The Nozzle And Rinse The Nozzle With Clean Water
Pump works, no spray	Electric Water Valve Burnt	Remplace Electric Water Valve
	Dc48/dc24v Converte Burnerd Out.	Replace The Coverter

Problem	Reason	Solution
Alarm light does not work	The key switch is not turned on	Turn the key switch from "OFF" to "ON"
	Fuse key switch burned out	Replacing the key switch fuse
	The battery is depleted	Use a multimeter to measure whether the total battery voltage is 48V (42-52 .8V)
	Key switch damaged	
walking not working	Controller is damaged	Replace the controller (announce controller failure)
	Accelerator pedal is damaged	Replace the accelerator pedal (announces a handlebar error)
	Travel motor is damaged	Replacing the travel motor (announces hall errors)
The whole machine does not work, it has sound when turn on the switch	The battery is depleted	Use a multimeter to measure whether the total battery voltage is 48V (42-52 .8V)
	DC contactor burned out	Change DC contactor
The whole machine does not work	The key switch is damaged	Change the key switch
	The battery is depleted	Use a multimeter to measure whether the total battery voltage is 48V (42-52 .8V)
	DC contactor burned out	Change DC contactor

Chapter 5 Maintenance

Machine life and operational safety must be ensured by proper and routine maintenance of the machine . The routine maintenance requirements are tabulated below . in a suitable
The maintenance interval may vary under operating conditions and must be determined by the professional responsible for the maintenance .

To perform maintenance operations, the machine must be stopped (remove the start switch key), so please read the safety section of the manual carefully.

Conditions of Use

- Ambient temperature: - 10C~40C
- The relative humidity of the air : 5%~70%
- No conductive dust, no explosion hazard environment

- An environment that does not contain gases or vapors that corrode metals
- Indoor use, ventilated, non-vibration environment, front and rear space at least 300mm

Maintenance schedule

maintenance operation		Per10h	Per50h	Per100h	Per200h	Per200h
Brush Disc Height Adjustment Check						
Whether the brush plate is entangled						
Tank cover seal inspection						
Screw and nut tightening inspection						
Check the wear of the brush disc						
Main brush drive system motor inspection and replacement						

Chapter 6 Battery Maintenance Guide

This product uses lead-acid maintenance-free batteries, which have the functions of maintenance-free, maintenance-free, and automatic pressure relief .

Charge when finished . If you do not use it for a long time, please disconnect the positive pole of the battery and store it .

1) Why lead-acid battery life is short?

The battery is undercharged for a long time, and it is not charged for a long time after discharge . During use, there is often an overdischarge phenomenon, and there is no charge during charging .

The standard charger is used, which leads to overcharging . During the use process, the voltage between the battery packs will be different, resulting in a long-term low-voltage operation status .

2) After the battery is used up, how should it be stored? The battery is a sensitive product . If it is not used for a long time, it is best to remove the battery from the battery .

Take it out of the machine and put it in a dry place at room temperature; because the battery is placed inside the machine and is not disconnected from the electrical appliance and circuit board, it will form a storage battery .

The battery continues to discharge .

3) What is overdischarge and how does it affect the performance of the battery?

It refers to the phenomenon that the power stored in the battery continues to discharge after reaching the minimum working voltage . battery over discharge

After that, the voltage drops sharply in a very short period of time . At this time, the internal reaction system of the whole battery is disordered . For example, after repeated over-discharge, the positive electrode.

-When the battery is used up every day, please make up the power in time.

No matter how much the remaining power is, the battery needs to be fully charged and stored.

5. TECHNICAL DATA

Sweeping width: 1250 mm

Side brush width: 2*400 mm

working hours:2-2.5H

Walking motor:700W

Battery capacity: 48v/65ah*4pcs

Total weight:396kgs

Width of main brush ;500mm

work efficiency :6380m²/h

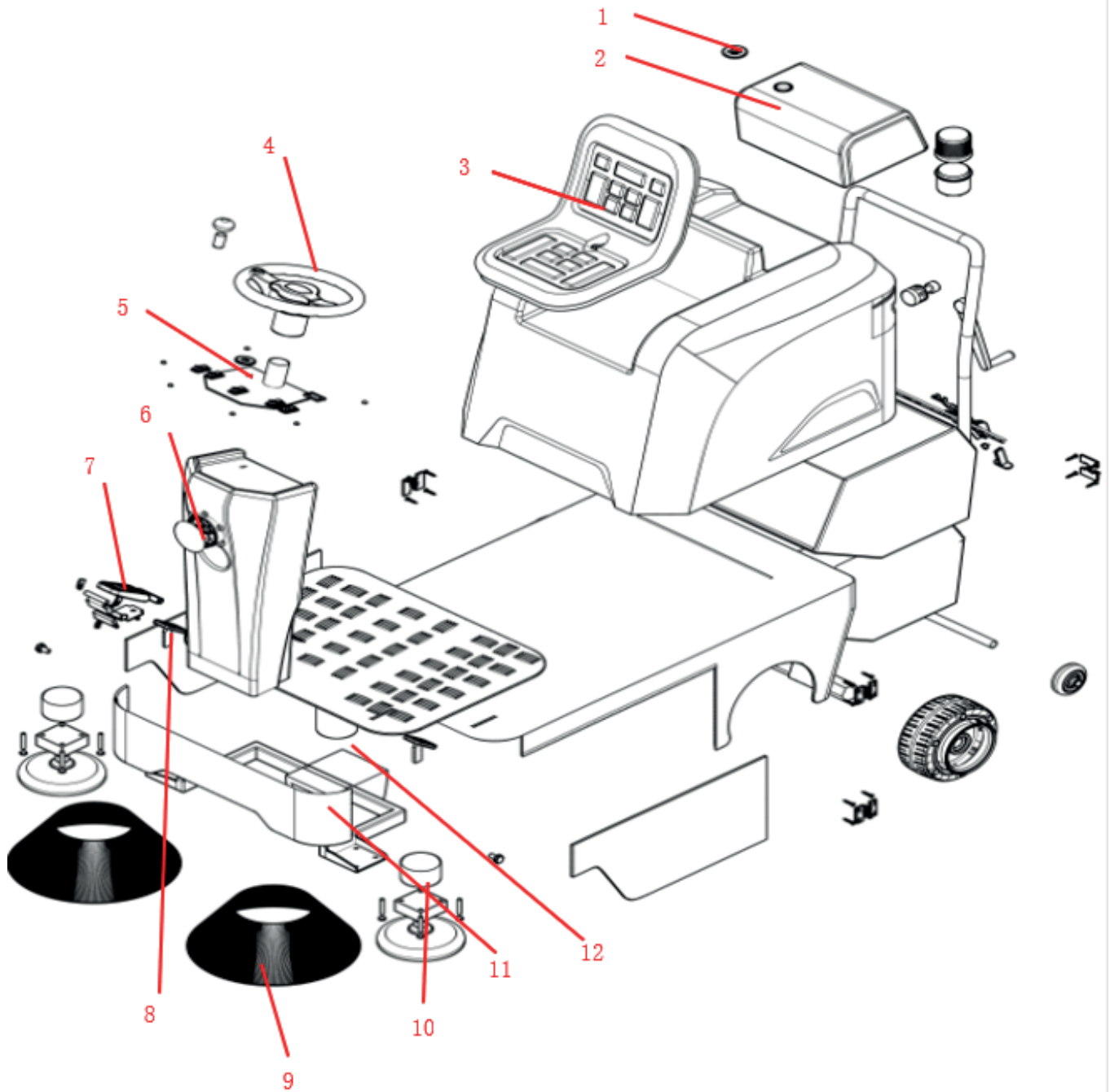
Garbage capacity 80L

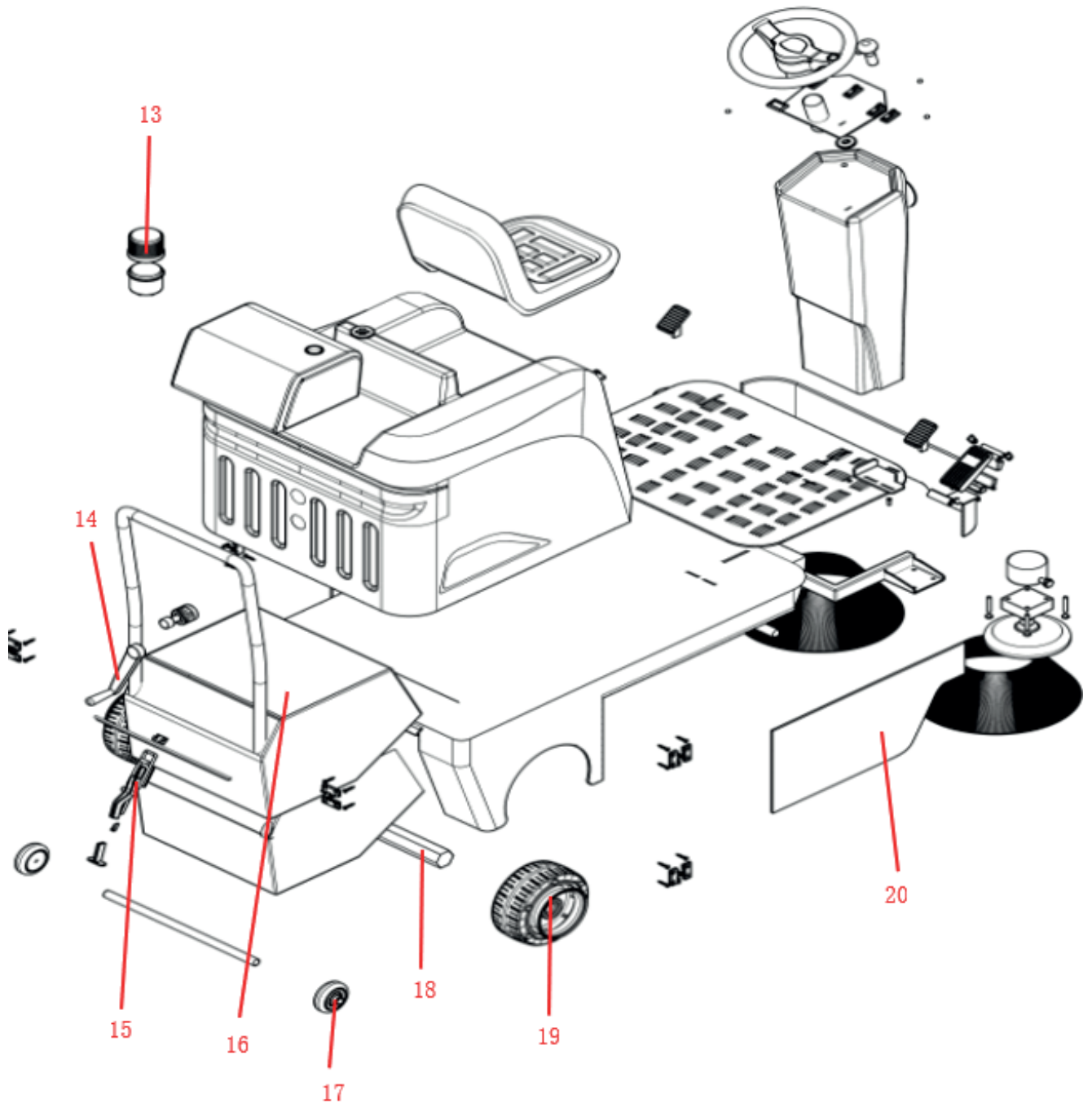
Roller brush motor :700W

Walking speed : 0-10Km/h

Product size: 1600*1250*1300mm

6. EXPLODED VIEW AND SPARE PART LIST





Number	Number	Number
1	SPJPAAE79	Water tank cover
2	/	Clean water tank
3	SPJPAAE62	chair
4	SPJPAAF17	Steering wheel
5	/	control panel
6	/	The headlamps
7	SPJPAAE21	Accelerator pedal
8	/	Brake pedal
9	SPJPAAE83	200 side brush
10	SPJPAAEC3	Side brush bracket
11	/	Front bumper lifting pedal
12	SPJPAAE45	90W side brush motor
13	SPJPAAD18	Warning light
14	SPJPAAE99	Vibrating dust handle
15	SPJPAAE57	Dustbin latch
16	SPJPAAE18	Dustbin assembly
17	SPJPAAE12	Dustbin rear wheel
18	SPJPAAE41	Drive axle
19	SPJPAAE82	rear wheel
20	SPJPAAE63	One set of side door

WARRANTY CARD

Product model	Date of sale
Serial number	Company
Username	Client's signature

The product is in good conditions and fully complete. Read and agree the terms of the warranty.

GUARANTEE

The warranty period starts from the date of sale of the products and covers 2 years for all power products.

During the warranty period, free failures caused due to the use of poor-quality materials in the production and manufacturer workmanship admitted fault are removed. The guarantee comes into force only when warranty card and cutting coupons are properly filled. The product is accepted for repair in its pure form and full completeness.

WARRANTY DOES NOT COVER

- Mechanical damage (cracks, chips, etc.) and damage caused by exposure to aggressive media, foreign objects inside the unit and air vents, as well as for damage occurred as a result of improper storage (corrosion of metal parts);
- Failures caused by overloading or product misuse, use of the product for other purposes. A sure sign of overload products is melting or discoloration of parts due to the high temperature, simultaneous failure of two or more nodes, teaser on the surfaces of the cylinder and the piston or destruction of piston rings. Also, the warranty does not cover failure of the automatic voltage regulator due to incorrect operation;
- Failure caused by clogging of the fuel and cooling systems;
- Wearing parts (carbon brushes, belts, rubber seals, oil seals, shock absorbers, springs, clutches, spark plugs, mufflers, nozzles, pulleys, guide rollers, cables, recoil starter, chucks, collets, removable batteries, filters and safety elements, grease, removable devices, equipment, knives, drills, etc.);
- Electrical cables with mechanical and thermal damage;
- Product opened or repaired by a non-authorized service center.
- Prevention, care products (cleaning, washing, lubrication, etc.), installation and configuration of the product;
- Natural wear products (production share);
- Failures caused by using the product for the needs related to business activities;
- If the warranty card is empty or missing seal (stamp) of the Seller;
- The absence of the holder's signature on the warranty card.

DAEWOO	DAEWOO	DAEWOO
_____	Product _____	_____
_____	Model _____	_____
_____	Company _____	_____
_____	Date of sale _____	_____

INDICE

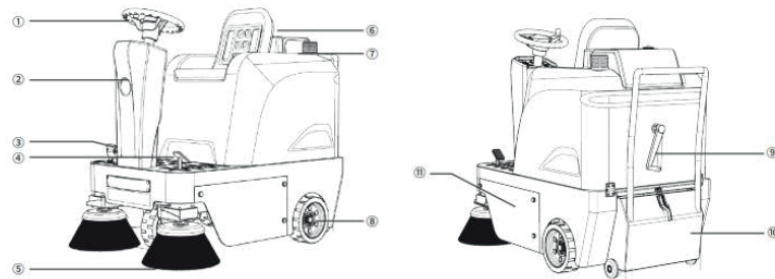
1. DESCRIPCIONES GENERALES.....	1
2. CAPÍTULO II OPERACIONES DE LA MÁQUINA.....	2
3. CAPÍTULO III MANTENIMIENTO REGULAR Y REEMPLAZO DE LOS COMPONENTES FRAGILES.....	3
REPLACEMENT OF WEARING PARTS.....	9
4. CAPÍTULO IV PROBLEMAS COMUNES Y SUS SOLUCIONES	12
5. DATA TÉCNICA	15
6. DESPIECE Y LISTA DE PARTES.....	16
7. DECLARACIÓN DE CONFORMIDAD.....	15
8. GARANTIA	16

CAPÍTULO I

Descripciones generales

1.1 Contenidos y propósitos

En el presente capítulo se indican los peligros potenciales en el momento de utilizar la máquina. Hace falta que el usuario los lea minuciosamente y tome precauciones preservativas. El objetivo del manual consiste en preservar de los daños posibles. La mayoría de los accidentes tienen lugar en el caso de que no se presta atención a las reglas básicas de operación. Un usuario minucioso y prudente es la mejor garantía para evitar los accidentes, mejor que otras precauciones que se pueda tomar. A la hora de utilizar el producto, tenga cuidado con otras personas de alrededor, especialmente los niños y los adolescentes.



- Volante ⑤ Cepillo lateral ⑨ balancín de polvo
 ② Lámpara de cabeza ⑥ Asiento ⑩ Cubo de basura
 ③ soporte de freno ⑦ Tanque de agua ⑪ Puerto de inspección
 ④ Pedal del soporte ⑧ neumáticos antideslizantes ⑫

1.2 Instrucciones generales

- Antes de cualquier mantenimiento y reparación, apague el interruptor general y retire la llave.
- Solo pueden operar la máquina las personas cualificadas. No se permite que la utilicen los niños y los discapacitados.
- Aleje la batería de chispas, fuego y humo.
- La máquina se aplica exclusivamente para limpiar basura general. Es estrictamente prohibido utilizarla para limpiar hilos, cuerdas, correas, agua y materiales combustibles, tóxicos o de alta temperatura.
- Asegúrese de que su pelo, sus dedos y otras partes de su cuerpo estén alejados de la salida de aire de la máquina.
- Apague la máquina cuando no la utiliza.
- No utilice la máquina en lugares donde el sesgo supera el valor nominal.
- No fume cuando está cargando la batería.
- No utilice la máquina en áreas muy sucias. Repita la limpieza cuando hay una gran cantidad de basura.
- La máquina debe almacenarse a una temperatura entre los -10 grados centígrados y los 40 grados centígrados.
- Al utilizar la máquina, la temperatura debe estar entre los -10 grados centígrados y los 40 grados centígrados, y la humedad, entre el 30% y el 95%.
- No utilice la máquina como herramienta de transporte.
- Cuando la máquina no avanza, no deje que el cepillo siga girando para evitar causar daño al suelo.

En el caso de un incendio, utilice extintor de polvo en lugar del de agua.

-Si se produce una avería, asegúrese de que no está causada por falta de mantenimiento regular.

-Si necesita reemplazar algún componente, puede comprarlo del fabricante original o de un distribuidor autorizado.

-Para asegurarse de que la máquina esté en condiciones de funcionamiento adecuadas y seguras, el usuario o los centros de servicio debe obedecer las estipulaciones de la sección de mantenimiento del presente manual.

-Incluso cuando la máquina esté a punto de ser desmantelada y desechada, alguien debe estar allí para prestar atención. Debido a que algunas sustancias nocivas (como baterías, aceite usado, etc.) han cumplido con los estándares, deben enviarse a un centro específico para el tratamiento.

1.3 Requisitos generales para la batería

-Debe evitar que la batería esté en un estado de baj voltaje. En este caso, cárguela lo antes posible.

-Para evitar fugas de electricidad, mantenga la batería seca y limpia y especialmente, elimine contaminantes como polvo de metal.

-Está prohibido colocar piezas metálicas (como herramientas) sobre la batería para evitar que se cortocircuite y se quemé.

-La sala de carga debe estar bien ventilada.

-No conecte ni extraiga la batería cuando el interruptor de llave esté en la posición ON.

-Antes de quitar o instalar las baterías, desconecte primero el cable negativo (-) de la batería y luego el cable positivo (+). Al volver a cablear, preste atención a la polaridad de la batería, ya que una conexión incorrecta podrá causar daño a los componentes eléctricos.

-Evite el contacto directo entre el electrodo positivo y el negativo, ya que provocará un gran cortocircuito de corriente y generará calor e incluso un incendio.

1.4 Requisitos generales de seguridad

-Además de las disposiciones contenidas en este manual, también se deben observar las normas generales de seguridad requeridas y las pautas de prevención de accidentes. Incluso si ha utilizado una barredora similar anteriormente, lea atentamente las instrucciones y le ahorrará tiempo en el futuro. Es vital que se familiarice con todos los accesorios y controles y sus funciones antes de usar la máquina. Lea detenidamente este manual para que no se confunda cuando lo encienda.

2. CAPÍTULO II OPERACIONES DE LA MÁQUINA

2.1 Teclas y pedales de la máquina

2.1.1 Teclas principales de la máquina

-Voltímetro (que muestra el voltaje actual de la batería, Cárguela cuando el voltaje sea inferior a los 42 V)

- Interruptor de llave
- Botón de barrido
- Botones de avance y retroceso
- Botón de la altavoz
- Botón del faro
- Botón del aspersor
- Botón del vibrador de polvo



Atención

-El botón de barrido tiene tres engranaje:

1. El engranaje delantero: el cepillo principal, los cepillos laterales y el ventilador se inician inmediatamente, el cepillo principal y los cepillos laterales caen automáticamente y se puede realizar el barrido.
2. El engranaje intermedio: el cepillo principal, los cepillos laterales y el ventilador dejan de operar, el cepillo principal y los cepillos laterales no se elevan y se puede ajustar la altura de los cepillos.
3. El engranaje de reinicio: el cepillo principal y los cepillos laterales se elevan.

-Botón del vibrador de polvo: la función de vibración de polvo se puede utilizar solo después de apagar el botón de barrido

-Válvula del aspersor (asegúrese de que la válvula del aspersor está abierta después de encender el botón del aspersor; cuando el aspersor está apagado, cierre la válvula para evitar que el aspersor gotee)

-Pedal de aceleración :

controla la velocidad de la máquina; cuando mayor sea la presión, mayor sea la velocidad.

-Pedal de freno, controla la función de estacionamiento de y parada de emergencia.

③ Pedal del soporte de elevación de los guardabarros delanteros (Si necesita limpiar basura grande como latas, cajas de cigarrillos, etc., pise este pedal y el cepillo principal puede barrerla en el cubo de basura)

2.1.2 Carga de la batería

-La carga necesita un cable con un diámetro mínimo de 6 mm. Si necesita detener la carga, apague directamente.

2.1.3 Añadir agua al tanque de agua

2.2 Operaciones de la máquina

2.2.1 Antes de las operaciones

-En condiciones normales, asegúrese de que ninguna de las puertas o tapas están abiertas y el cubo de basura está cerrado correctamente. Si la máquina no se puede utilizar después del transporte, examine cada componente.

2.2.2 Muestra del voltaje

Inserte la llave de arranque en la consola del volante y gire el interruptor en sentido horario a la posición "ON". En tres segundos, la pantalla muestra el valor del voltaje de la batería. Si el voltaje es inferior a los 42 V, cárgue la batería antes de usar la máquina.



2.2.3 Encender la máquina

- Siéntese en el asiento del conductor.
- Pise ligeramente el pedal del freno y gire la llave de arranque a la posición "ON".
- Mueva la máquina al área de trabajo a través del volante y los botones avance/retroceso. La velocidad de conducción se ajusta de 0 al valor máximo mediante la presión del pedal del acelerador.



Presione el botón de barrer para comenzar la limpieza y use el volante, el pedal del acelerador y los botones de avance/retroceso para mover la máquina.

- El cubo de basura debe estar cerrado durante el barrido.
- Cuando se presiona el botón de barrido, todos los motores (incluyendo el motor del cepillo principal, el motor de los cepillos laterales y el motor del ventilador) funcionarán automáticamente, el cepillo principal y los cepillos laterales descenderán automáticamente también.

2.2.4 Detener la máquina

- Suelte el pedal de aceleración para detener la máquina.
- Presione el botón de parar, se detienen todas las funciones y se levantan el cepillo principal y los cepillos laterales.
- Gire el interruptor de arranque a la posición "OFF".



2.3 Debida inteligencia en las operaciones de la máquina

2.3.1 Debida inteligencia general

- Evite dejar que los cepillos rueden cuando la máquina está detenida en el mismo lugar durante un largo período, ya que esto dejará marcas

innecesarias en el suelo.

-Si necesita limpiar basura grande, puede pisar el pedal para levantar la tapa frontal y dejar pasar la basura; recuerde que cuando se levanta la tapa frontal, la capacidad de aspiración de la máquina se reduce.

-Para que la máquina funcione bien, hace falta que el usuario limpie el filtro cuando realizar el barrido. Pasos detallados: detener la máquina, y presionar el botón del vibrador para iniciar la función de vibración de polvo. La vibración debe durar aproximadamente un minuto. Después de limpiar el filtro, continúe con el barrido. El filtro debe limpiarse cada 30 minutos en general (dependiendo de la cantidad de basura).

-La máquina no puede coleccionar basura cuando el filtro está bloqueado o el cubo de basura está lleno. No utilice la máquina en suelo húmedo para evitar daños al filtro.

-Vacíe el cubo de basura cada vez que se completa el barrido o que el cubo de basura está lleno.

2.3.1 Vaciar el cubo de basura

-Suelte el pedal para detener la máquina.

-Abra el cerrejo del cubo de basura.



-Tire el cubo de basura hacia abajo y sáquelo para vaciar la basura.

-Recoloque el cubo de basura en la máquina y cierre el cerrejo.

2.3.2 Empujar/arrastrar la máquina

-Empuje o arrastre la máquina cuando esté apagada o cuando se haya producido una falla. asegúrese de que la velocidad de empuje o arrastre no supere los 5 km/h.

-Presione el botón de avance cuando adelanta, y el de retroceso cuando retrocede.

2.3.3 Después de utilizar la máquina

-Presione el botón de reinicio para levantar los cepillos principal y laterales.

-Presione el botón del vibrador para limpiar el filtro.

-Vacíe el cubo de basura.

-Retire la llave del interruptor.

-Levante los cepillo para evitar que se deformen.

2.3.4 Almacenamiento y mantenimiento de la máquina

-Si la máquina no se utilizará dentro de 30 días, guárdela en un lugar limpio y seco y desconecte el conector de la batería.

Capítulo III

Mantenimiento regular y reemplazo de los componentes fragiles

1.1 Inspección regular

Inspección regular		Intervalo (hora)				
		4	50	100	200	500
1	Voltage de la batería	X				
2	Cepillos carbonos de los motores					X
3	Si el cepillo principal está enrollado	X				
4	Si hay misceláneas en el tanque de agua	X				
5	Botones y componentes eléctricos en el panel de control		X		X	
6	Grado de desgaste de los cepillos		X	X		
7	Si hay misceláneas en el filtro	X				
8	Si la junta del aspersor tiene fugas	X				

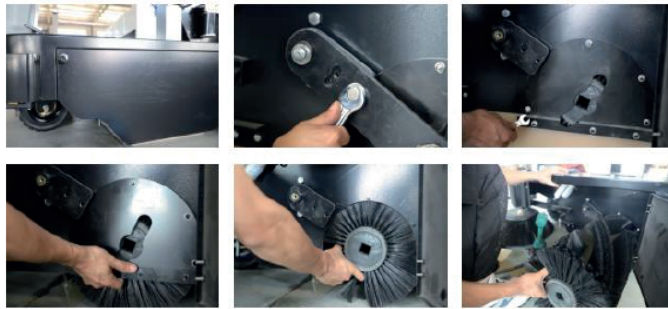
1.2 Reemplazo del cepillo principal

-Asegúrese de que la máquina está detenida y apagada.

-Abra la tabla derecha de la máquina y quite el balancín del cepillo principal, la placa de cubierta y la tuerca de fijación del soporte del guardabarros.

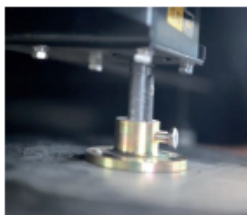
-Retire el cepillo principal desgastado, reemplácelo con el nuevo e instale la tuerca de la placa de sellado, la del soporte del guardabarros y finalmente la del balancín.

-Presione el botón de barrido e inicie los motores del cepillo principal, de los cepillos laterales y del ventilador a ver si el cepillo principal gira bien; si se agita, ajústelo a través de los pernos en el balacín; si gira normalmente, cierre la tabla y empiece el barrido.



1.3 Reemplazo de los cepillos laterales

- Asegúrese de que la máquina está detenida y apagada.
- Use una llave Allen para aflojar los pernos de los cepillos laterales y presione los cepillos laterales hacia abajo para quitarlos;
- Instala los cepillos nuevos, fíjelos en el motor de cepillos laterales y apriete los pernos.



1.4 Montaje y desmontaje del cubo de basura

- Asegúrese de que la máquina está detenida y apagada.
- Abra la hebilla del cubo de basura, sáquelo y deseche la basura.
- Después de vaciar el cubo de basura, alinéelo con la barrendora y empújelo adelante.
- Presione la hebilla para devolver el cubo de basura.



-Atención: la tira de sellado del cubo de basura debe encajar firmemente con la máquina. Si no encaja bien, abra la hebilla y vuelva a insertar el cubo.

1.5 Detener la máquina

-Esta barredora funciona con 4 baterías de plomo-ácido de 12 V y el voltaje del sistema es de 48 V.

-Cuando la máquina ha funcionado por un período largo, la energía de la batería cae; cuando la última barra del medidor parpadea, la energía es insuficiente y debe cargar la batería lo más pronto posible.

-Al mantener la batería, use guantes protectores para evitar el contacto con el material ácido.

-Compruebe si el cable de conexión de la batería está desgastado y si las partes de contacto están sueltas, y reemplácelo si hace falta.

-Los terminales de la batería debe mantenerse limpios y secos, y no debe haber artículos diversos ni polvo en la batería, porque estos son extremadamente desfavorable para la batería y quemará la batería en casos severos.

Para prolongar la vida de la batería, debe cargarla cada vez que el barrido está terminado. La descarga profunda está estrictamente prohibida.

-El método de carga correcto de la batería de plomo-ácido: primero inserte la batería, luego conéctela la red eléctrica; cuando esté completamente cargada, primero desconéctela con la red eléctrica y luego saque la batería.

-Si no utilizará la máquina en un largo período, cargue completamente la batería, desconecte el polo positivo de la batería y guárdela.

1.6 Limpieza del filtro de la válvula

-Desenrosque la tapa del filtro, extraiga el filtro y límpielo con agua limpia.

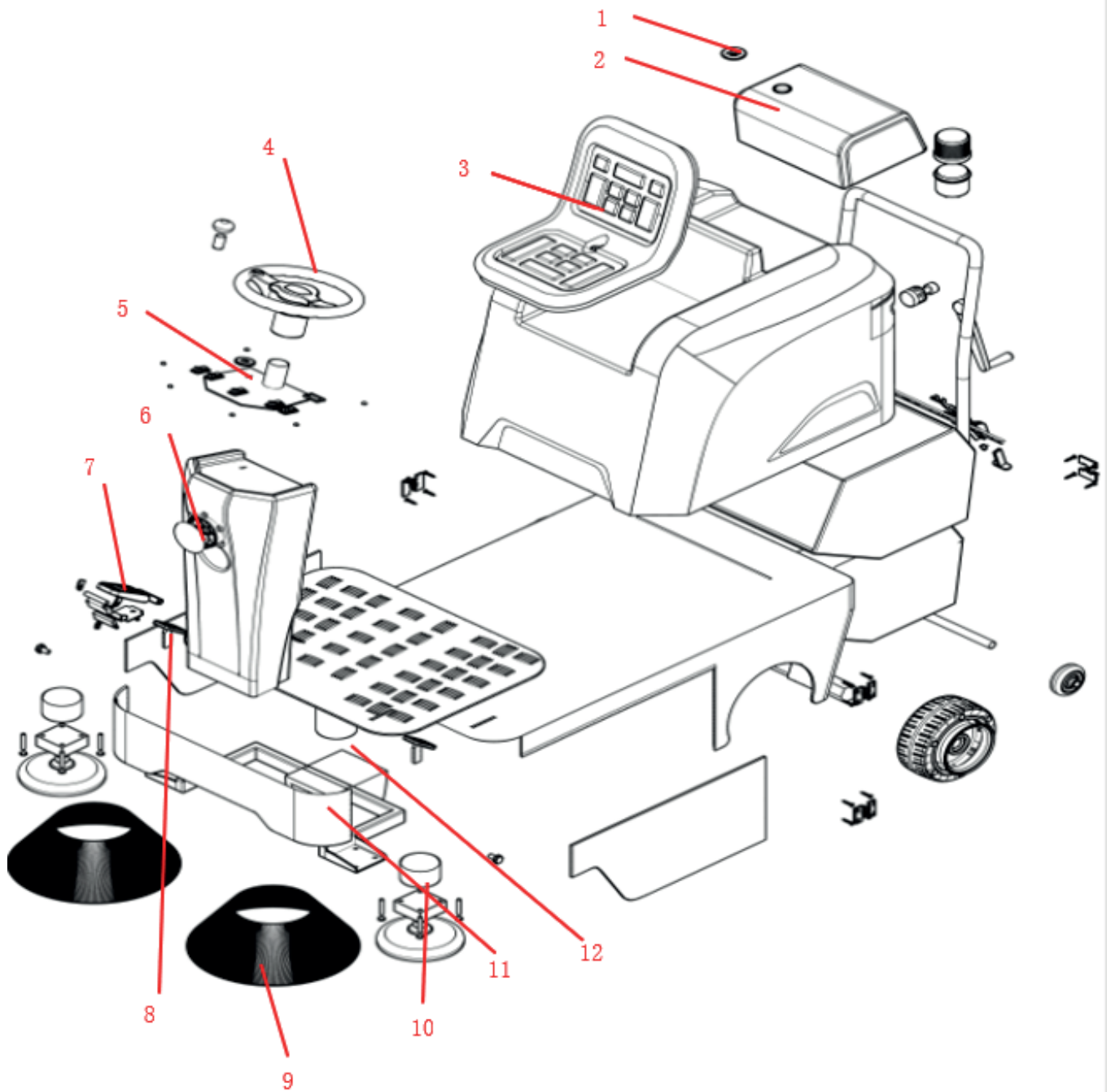


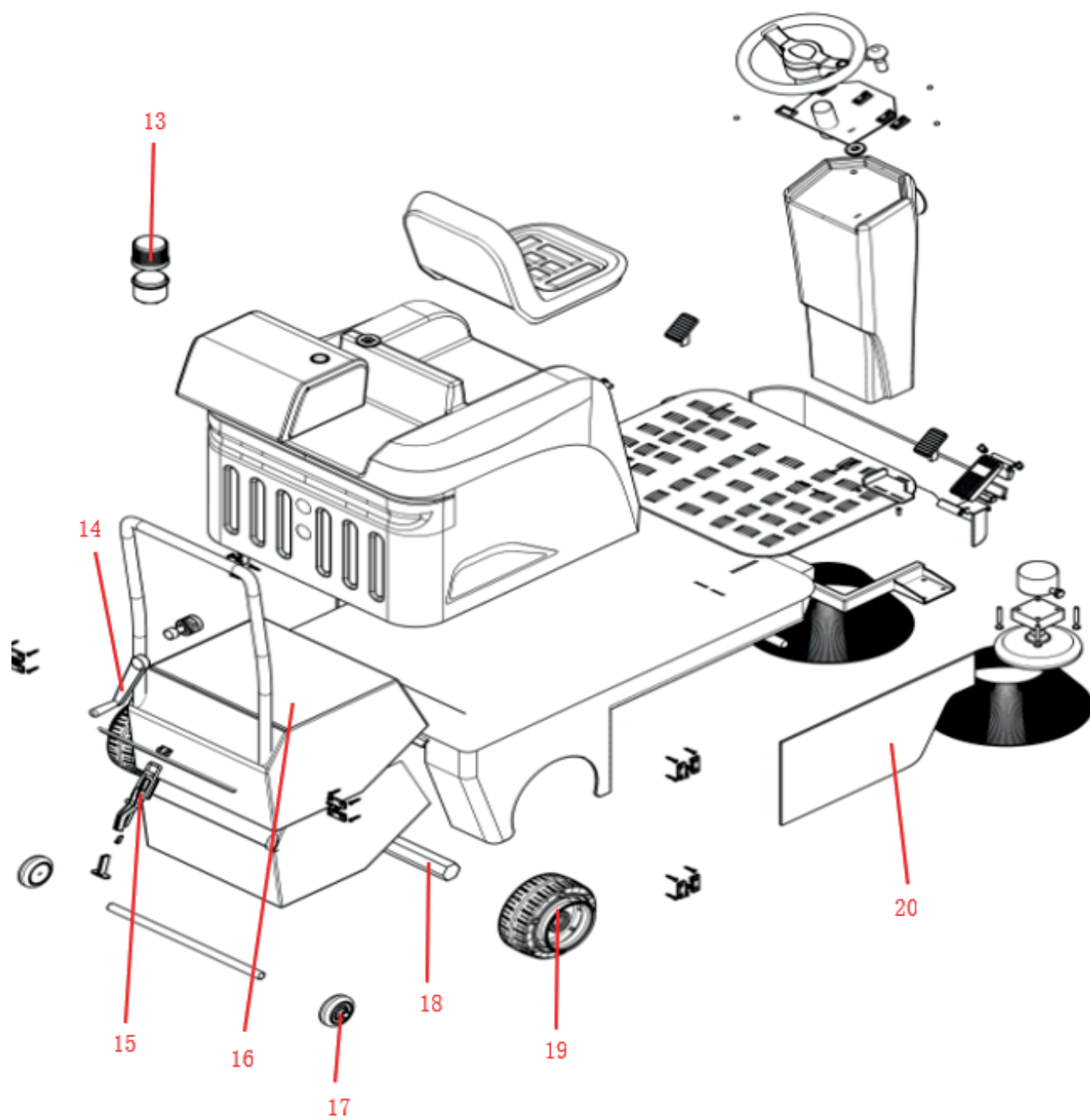
Problemas	Causas posibles	Soluciones
El cepillo principal no trabaja.	El fusible del cepillo principal está quemado.	Reemplazar el fusible.
	El motor del cepillo principal está quemado.	Reemplazar el motor del cepillo principal.
	El motor está sobrecargado.	Esperar unos minutos y reiniciar el motor.
	El contactor de CC está quemado.	Reemplazar el contactor de CC.
Los cepillos laterales no trabajan.	El fusible de los cepillos laterales está quemado.	Reemplazar el fusible de los cepillos laterales.
	El motor de los cepillos laterales está quemado.	Reemplazar el motor de los cepillos laterales.
	El motor está sobrecargado.	Esperar unos minutos y reiniciar el motor.
	El contactor de CC está quemado.	Reemplazar el contactor de CC.
El ventilador no trabaja.	El fusible del ventilador está quemado.	Reemplazar el fusible.
	El motor del ventilador está quemado.	Reemplazar el motor del ventilador.
	El motor está sobrecargado.	Esperar unos minutos y reiniciar el motor.
	El contactor de CC está quemado.	Reemplazar el contactor de CC.
El cepillo principal, los cepillos laterales y el ventilador no trabajan al mismo tiempo.	El motor está sobrecargado.	Esperar unos minutos y reiniciar el motor.
	El contactor de CC está quemado.	Reemplazar el contactor de CC.
El aspersor no trabaja.	El fusible de la bomba de agua está quemado.	Reemplazar el fusible de la bomba de agua.
	El motor de la bomba de agua está quemado.	Reemplazar el motor de la bomba de agua.
La bomba de agua funciona pero el aspersor no trabaja bien.	El aspersor está bloqueado.	Limpiar el aspersor.
	El filtro está bloqueado.	Limpiar el filtro.
La bomba de agua funciona pero el aspersor no funciona.	La válvula está quemada.	Reemplazar la válvula.
	El convertidor DC48V/DC24V está quemado.	Reemplazar el convertidor.

Problemas	Causas posibles	Soluciones
La lámpara de alarma no trabaja.	El interruptor de llave no está encendido.	Encender el interruptor.
	El fusible del interruptor está quemado.	Reemplazar el fusible del interruptor.
	La batería no tiene suficiente electricidad.	Medir el voltaje de la batería con un multímetro a ver si es de 48 V (42-52,8 V).
	El interruptor de llave está estropeado.	Reemplazar el interruptor de llave.
La máquina se mueve pero no trabaja.	El controlador está estropeado.	Reemplazar el controlador.
	El pedal de aceleración está estropeado.	Reemplazar el pedal de aceleración.
	El motor de conducir está estropeado.	Reemplazar el motor de conducir.
	El contactor de CC está quemado.	Reemplazar el contactor de CC.
La máquina no se mueve ni trabaja.	El interruptor de llave está estropeado.	Reemplazar el interruptor de llave.
	La batería no tiene suficiente electricidad.	Medir el voltaje de la batería con un multímetro a ver si es de 48 V (42-52,8 V).
	El contactor de CC principal está quemado.	Reemplazar el contactor de CC principal.

	Al recibir	Cada 10 h	Cada 50 h	Cada 100 h	Cada 200 h	Cada 500 h
Altitud de los cepillos	X	X				
Si los cepillos están enrollados		X				
El sello de la tapa del tanque	X		X			
Tornillos y tuercas				X		
Grado de desgaste de los cepillos				X		
Cepillos carbonos de los motores del cepillo principal y del conductor						X

6. DESPIECE Y LISTA DE PARTES





Number	Number	Number
1	SPJPAAE79	Water tank cover
2	/	Clean water tank
3	SPJPAAE62	chair
4	SPJPAAF17	Steering wheel
5	/	control panel
6	/	The headlamps
7	SPJPAAE21	Accelerator pedal
8	/	Brake pedal
9	SPJPAAE83	200 side brush
10	SPJPAAEC3	Side brush bracket
11	/	Front bumper lifting pedal
12	SPJPAAE45	90W side brush motor
13	SPJPAAD18	Warning light
14	SPJPAAE99	Vibrating dust handle
15	SPJPAAE57	Dustbin latch
16	SPJPAAE18	Dustbin assembly
17	SPJPAAE12	Dustbin rear wheel
18	SPJPAAE41	Drive axle
19	SPJPAAE82	rear wheel
20	SPJPAAE63	One set of side door

EC Declaration of Conformity

Model Name: DAS80
Model Code: RIDE-ON SWEEPER
Brand: Daewoo

We GBR Corp. LTD, Room 1002, 10/F., David House, 8-20 Nanking Street, Jordan, Kowloon, Hong Kong, China, declare under our sole responsibility that this product is in conformity and accordance with the following standards and regulations.

The undersigned is responsible for the compilation of technical documentation.

Satisfies the requirement of the Council Directives:
MLow Voltage Directive 2014/35/EU, Electromagnetic Compatibility 2014/30/EU

and conforms to the norms:
EN 60335-1:2012+A2:2019; EN 55014-1:2017+A11:2020; EN 55014-2:2015aN

Signature and Stamp on undersigned responsible.

Date: 30-08-2022

A handwritten signature in blue ink is written over a circular blue stamp. The stamp contains the text "GBR" at the top and "1002, 10/F., DAVID HOUSE" around the bottom edge.

TARJETA DE GARANTÍA

Modelo del producto	Fecha de venta
Número de Serie	Empresa
Nombre de usuario	Firma del cliente

El producto está en buenas condiciones y completo. Lea y acepte los términos de la garantía.

GARANTÍA

El período de garantía comienza desde la fecha de venta del producto y cubre 2 años para todos los productos.

Durante el período de garantía se eliminan los fallos causados por el uso de materiales de mala calidad en la producción y mano de obra cuya culpa sea admitida por el fabricante. La garantía entra en vigor desde que se llenó correctamente la tarjeta de garantía y cupones de corte. El producto es aceptado para su reparación en su forma pura y plena integridad.

LA GARANTÍA NO CUBRE

- Daños mecánicos (grietas, astillas, etc.) y daños causados por la exposición a medios agresivos, objetos extraños dentro de la unidad y las rejillas de ventilación, así como de los daños producidos como consecuencia de un almacenamiento inadecuado (corrosión de las partes metálicas);
- Fallos causados por sobrecarga o mal uso del producto, el uso del producto para otros fines, así como la inestabilidad de la electricidad. Una señal segura de que los productos de sobrecarga se están derritiendo o decolorando las piezas debido a la alta temperatura son el fallo simultáneo de dos o más nodos, el sumario sobre la superficie del cilindro y el pistón, y la destrucción de los anillos de pistón. Además, la garantía no cubre fallas de reguladores de energía de tensión automáticos debido a la operación incorrecta;
- Fallos causados por la obstrucción de los sistemas de combustible y refrigeración;
- Para piezas de desgaste (escobillas de carbón, correas,

- juntas de goma, sellos de aceite, amortiguadores, resortes, embragues, bujías, bufandas, boquillas, poleas, rodillos guía, cables de arranque de retroceso, platos, mandriles, baterías extraíbles, filtros y seguridad elementos, grasa, dispositivos extraíbles, equipos, cuchillos, taladros, etc.);
- Los cables eléctricos con daños mecánicos y térmicos;
- El producto, si fue abierto o reparado fuera del Centro de Servicio Autorizado.
- la prevención, productos de cuidado (limpieza, lavado, lubricación, etc.), la instalación y configuración del producto;
- Los productos de desgaste natural (cuota de producción);
- Fallos causados por el uso del producto para las necesidades relacionadas con las actividades empresariales;
- Si la tarjeta de garantía está vacía o el sello del Vendedor faltante;
- Ausencia de la firma del titular de la tarjeta de garantía.



DAEWOO

Producto _____
 Modelo _____
 Empresa _____
 Fecha de Venta _____



DAEWOO

Producto _____
 Modelo _____
 Empresa _____
 Fecha de Venta _____



DAEWOO

Producto _____
 Modelo _____
 Empresa _____
 Fecha de Venta _____



DAEWOO
POWER PRODUCTS

www.daewoopowerproducts.com

Manufactured under license of Daewoo International Corporation, Korea