

EVO 6-NK

Compact unit



TECHNICAL SPECIFICATION

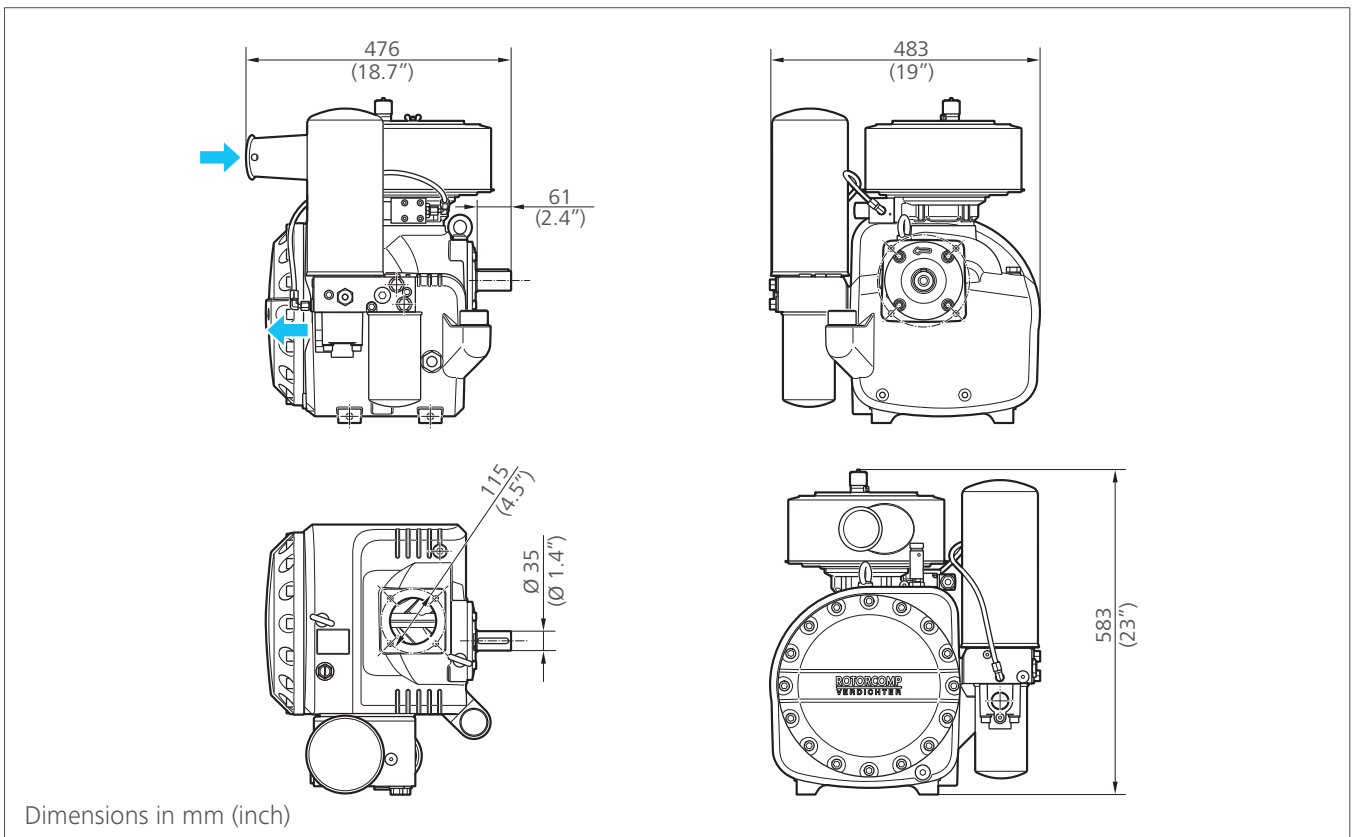
- › Power range up to 37 kW / 50 HP

- › Capacity up to 5,5 m³/min / 200 cfm

- › Pressure up to 15 barg / 218 psig

- › Weight approx. 54 kg / 119 lbs

››› Dimensioning

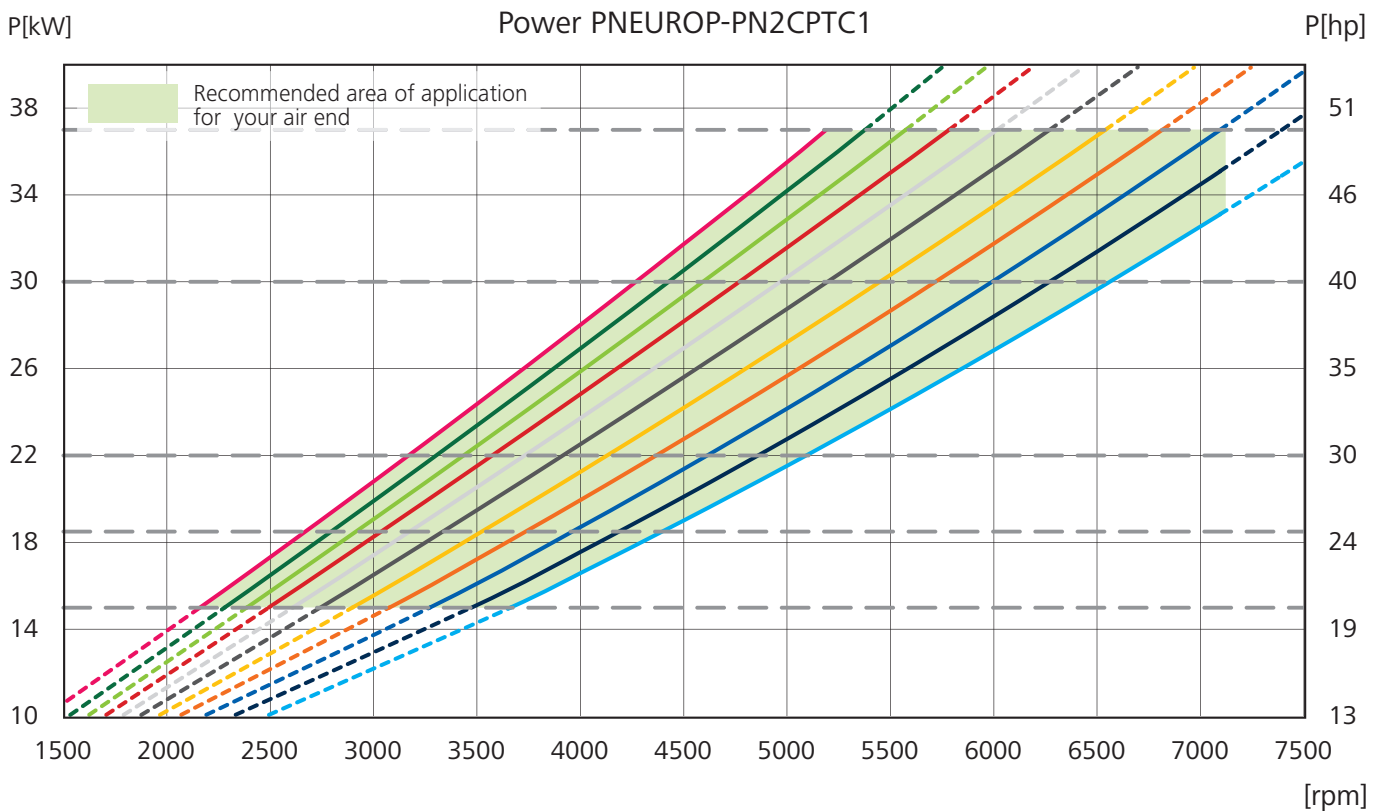
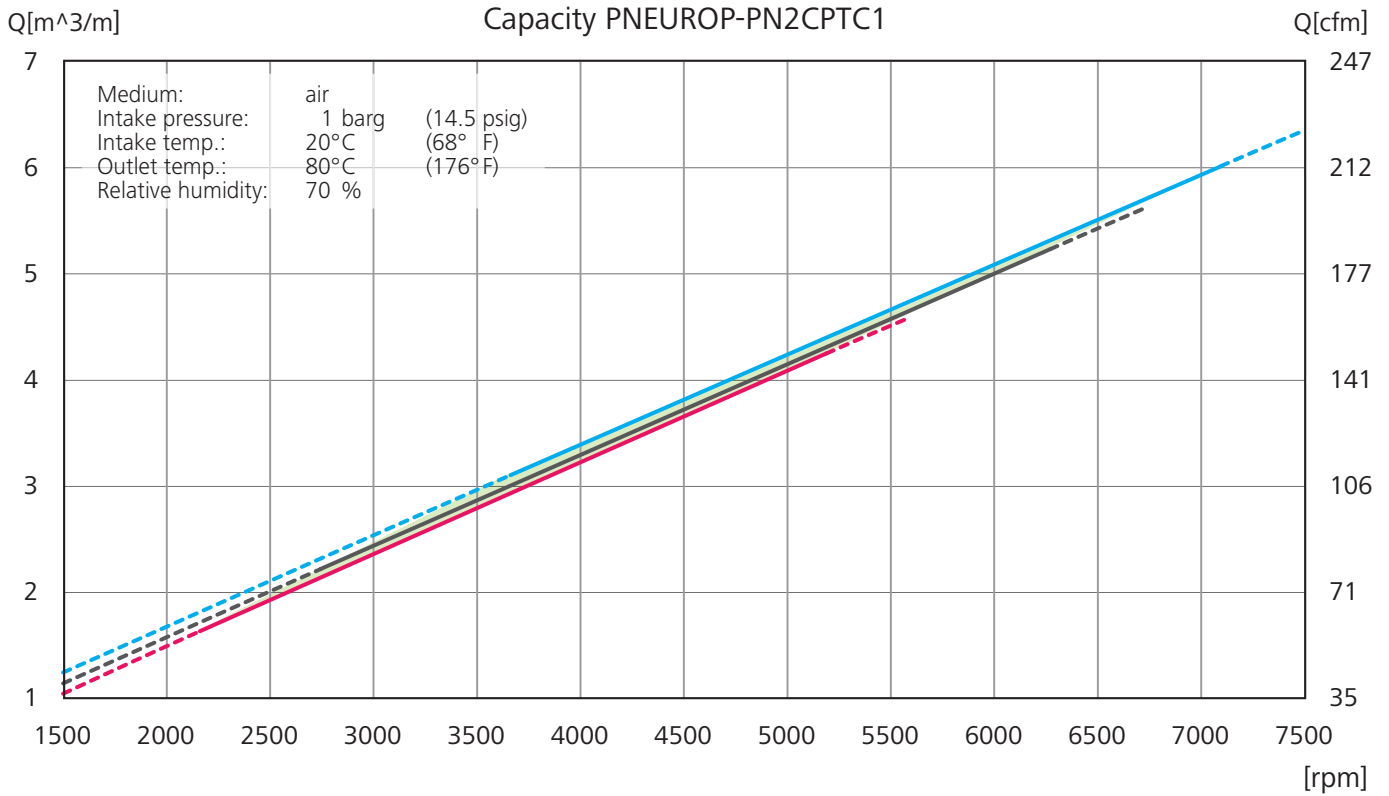


For detailed design, please order the installation drawing/3d model.

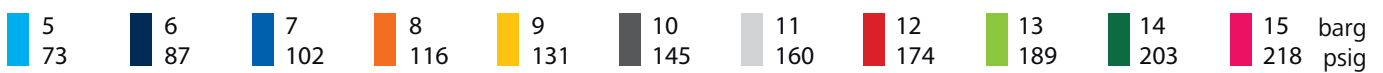
Technical modifications and errors excepted!
© 2013 ROTORCOMP®, Germany



Performance Data



— Typical motor characteristic lines



Technical modifications and errors excepted!
 © 2013 ROTORCOMP®, Germany

www.rotorcomp.de